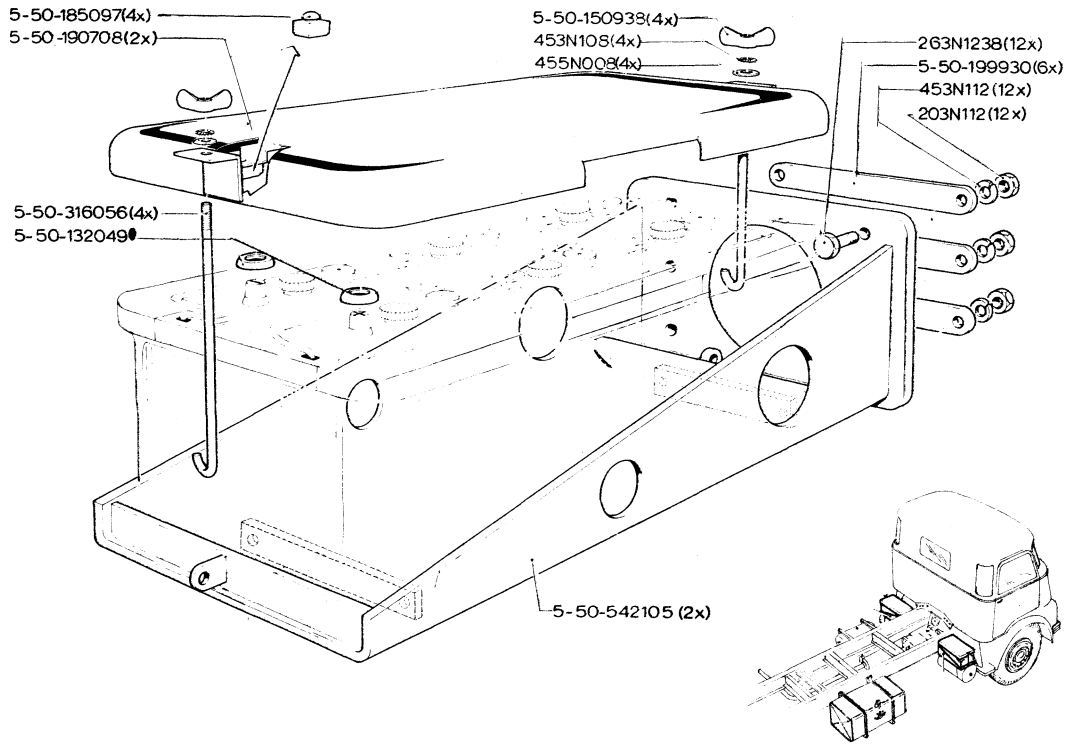


	A	B
10/1	5-50-147544	5-50-316055
10/2	5-50-313240	5-50-218874
10/3	5-50-201495	5-50-205914





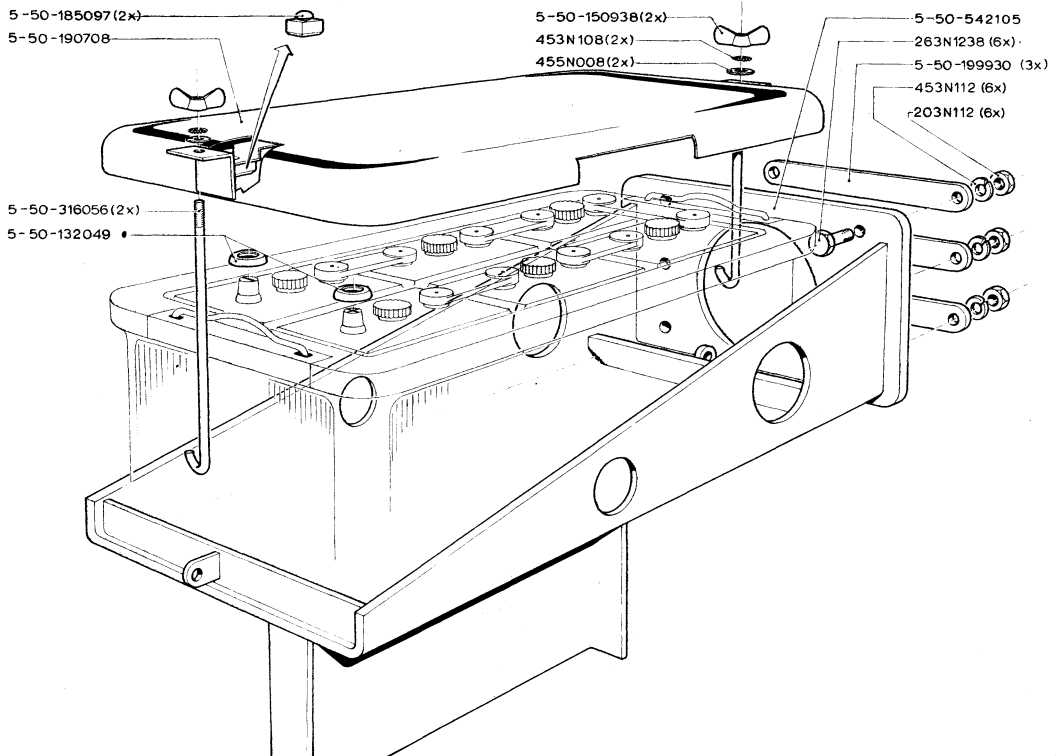
Printed in Holland



5-50-11



0471



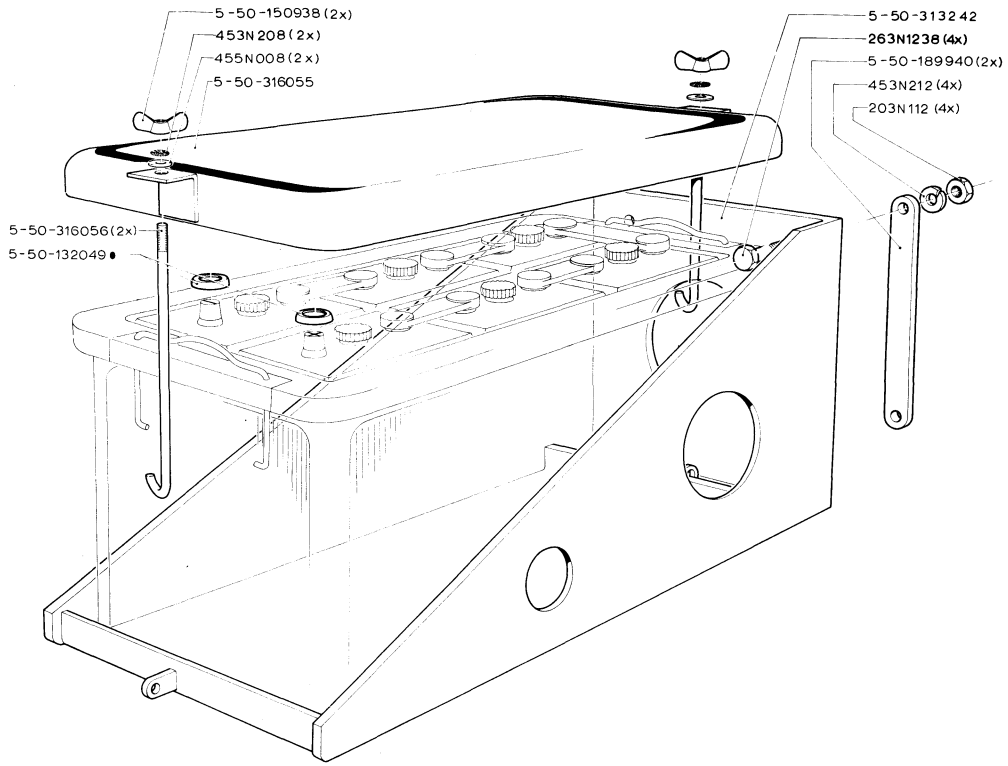
Printed in Holland



5-50-13



0471

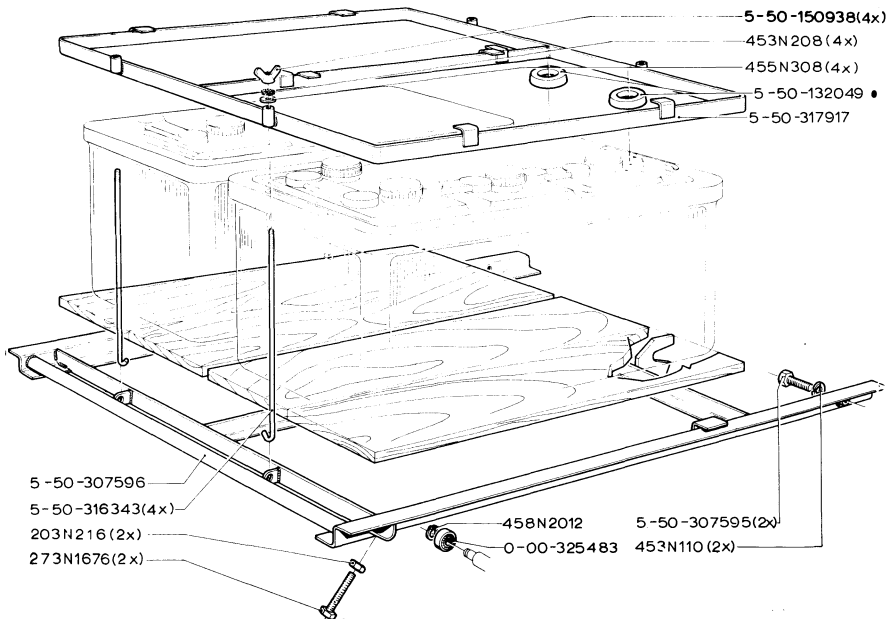


5-50-14



Printed in Holland

0471

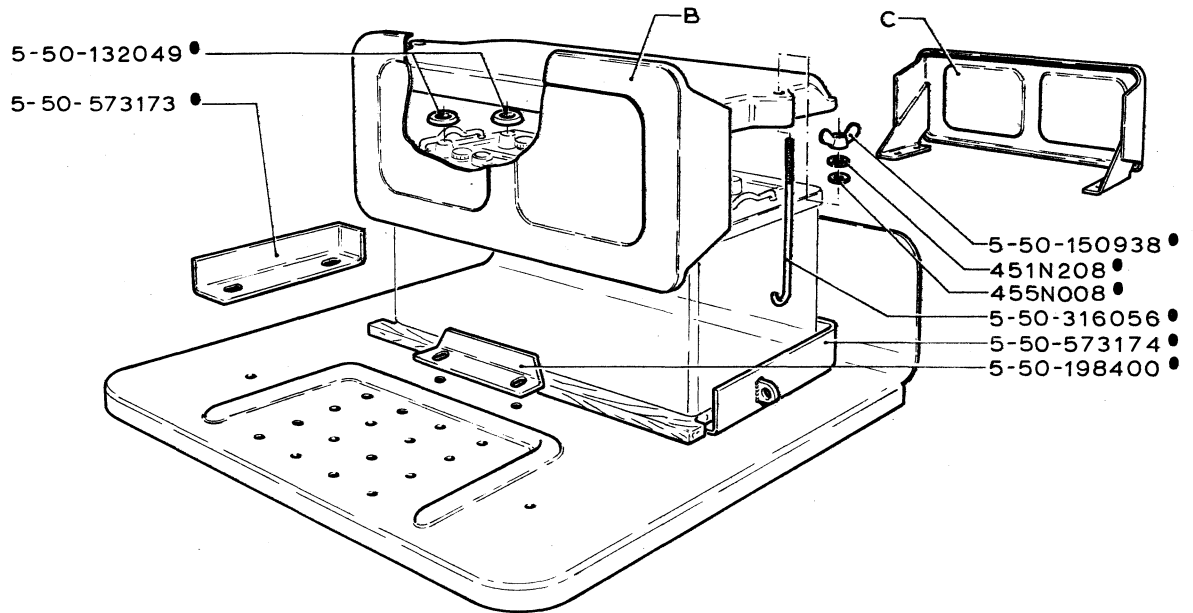


5-50-15

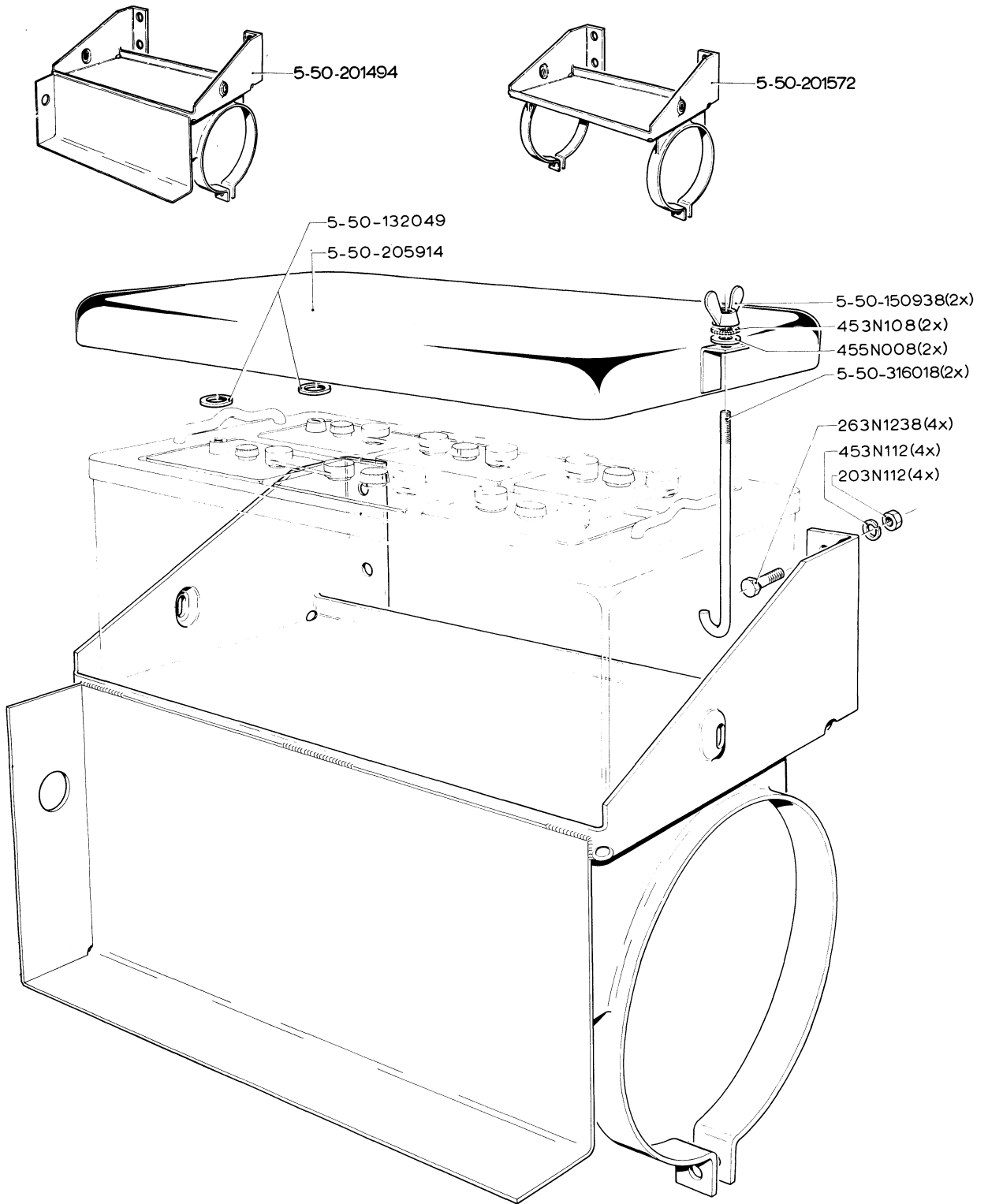


Printed in Holland

0767

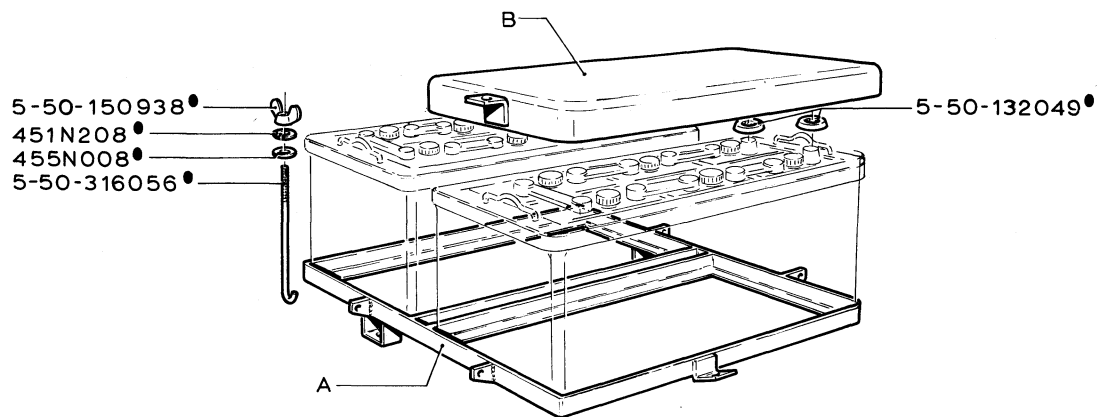


	B	C
18/1	5-50-197480	1-12-189975
18/2	5-50-188432	1-12-189975
18/3	5-50-188432 (2x)	—



*N23/T141*



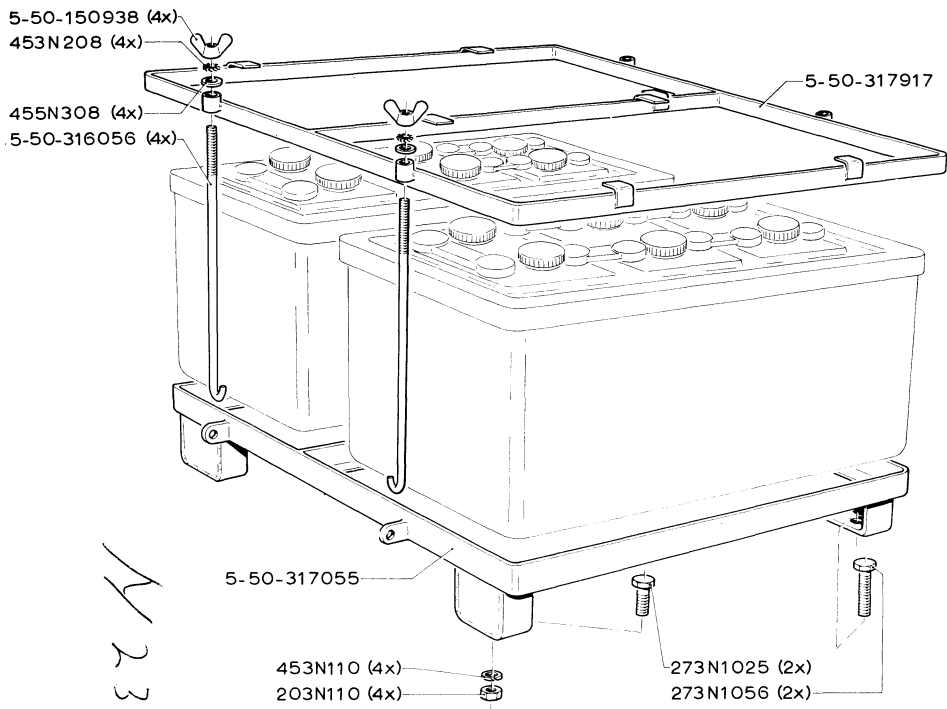


	A	B
21/1	5-50-154879	5-50-316055
21/2	5-50-154879	5-50-316055 (2x)





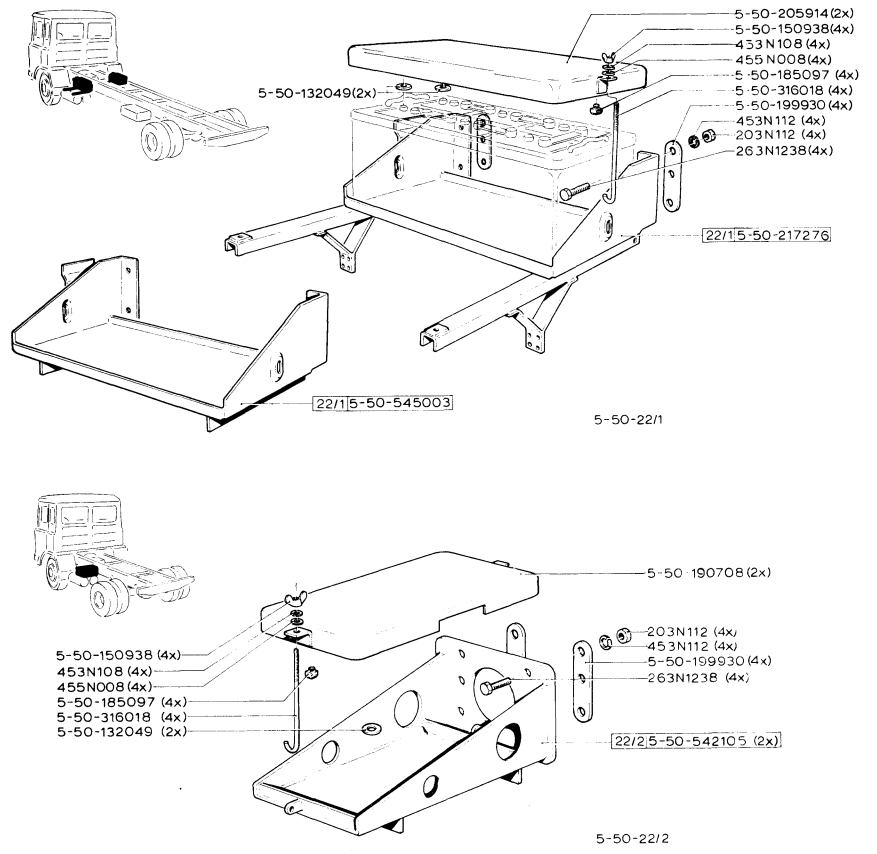
5-50-24

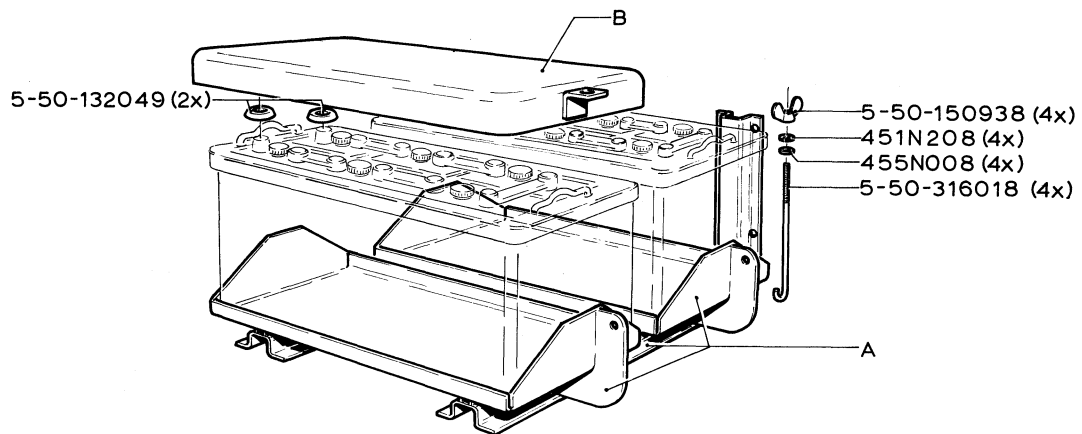


23/14/1



5-50-22





	A	B
26/1	5-50-196652	5-50-316055 (2x)
26/2	5-50-543577	5-50-316055 (2x)
26/3	5-50-549701	5-50-316055 (2x)

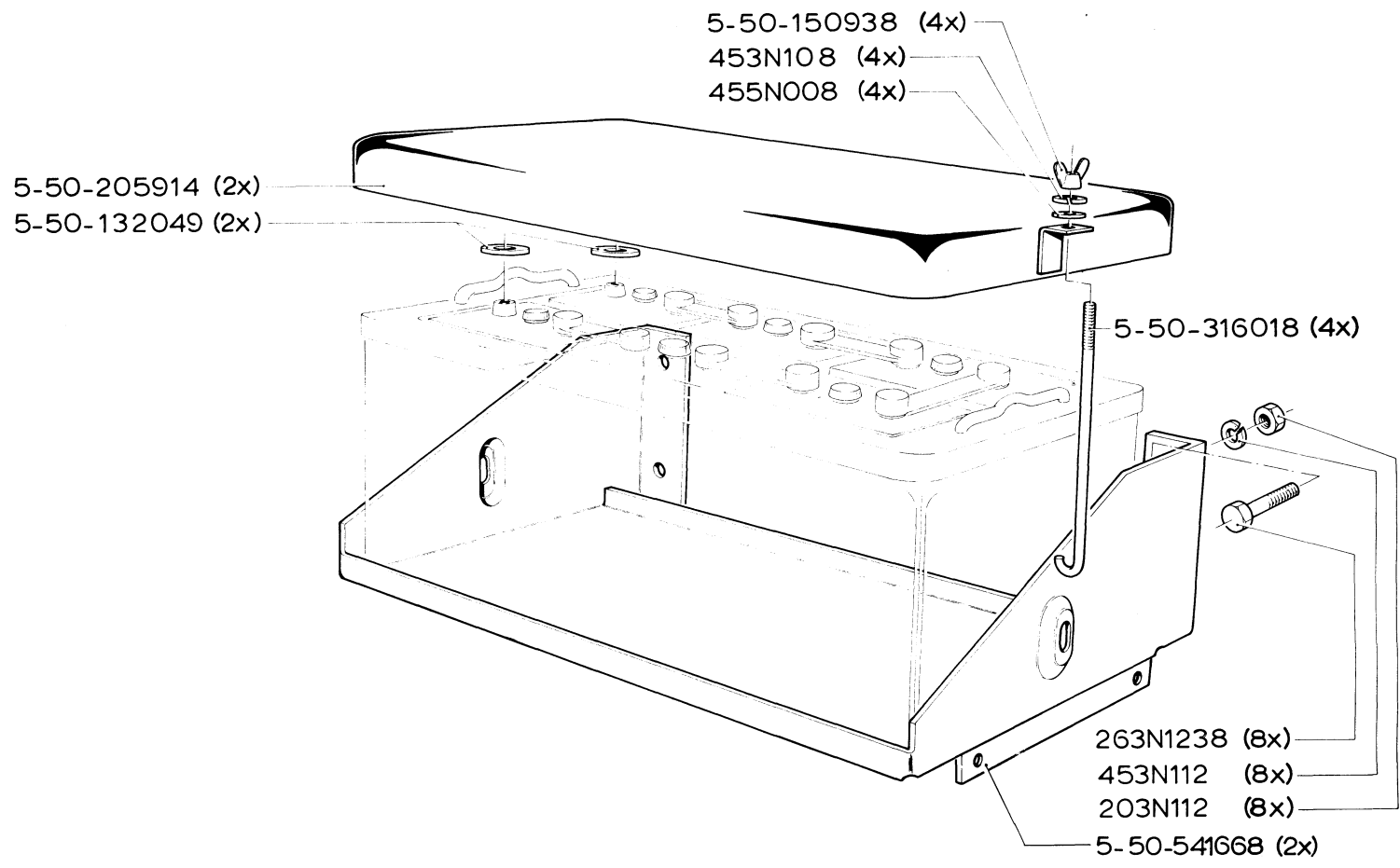


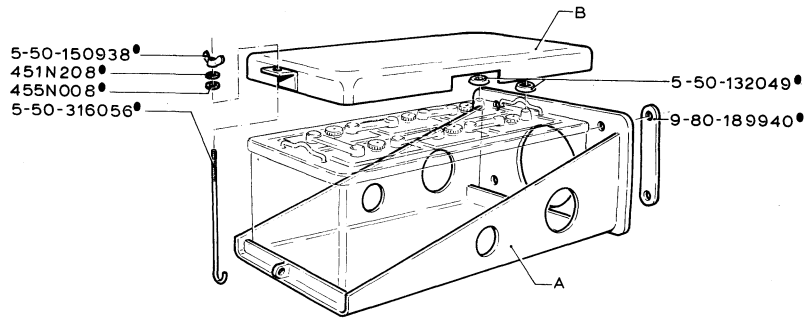


5-50-27



14 231 TM





	A	B
28/1	5-50-313242 (2x)	5-50-316055 (2x)
28/2	5-50-584389 (2x)	5-50-197482 (2x)
28/3	5-50-587045 (2x)	5-50-197482 (2x)
28/4	5-50-313242	5-50-316055

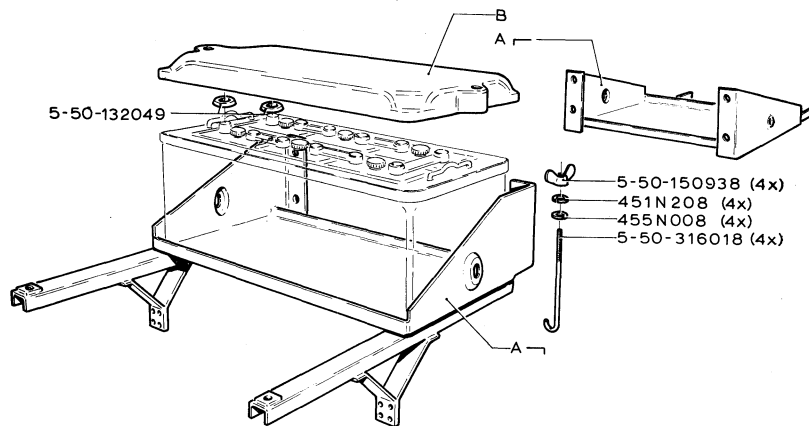
Printed in Holland



5-50-28



0767



	A	A	B
30/1	5-50-523218	5-50-523219	5-50-218874 (2x)

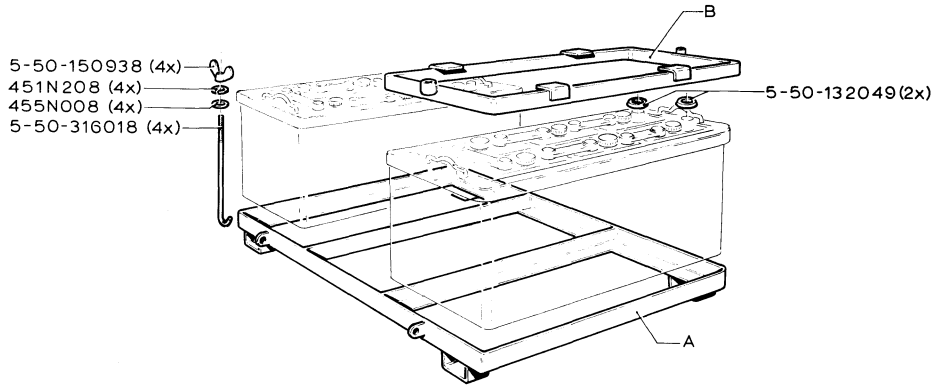
Printed in Holland



5-50-30



0767



	A	B
32/1	5-50-322379	5-50-317918 (2x)
32/2	5-50-587623	5-50-522402 (2x)

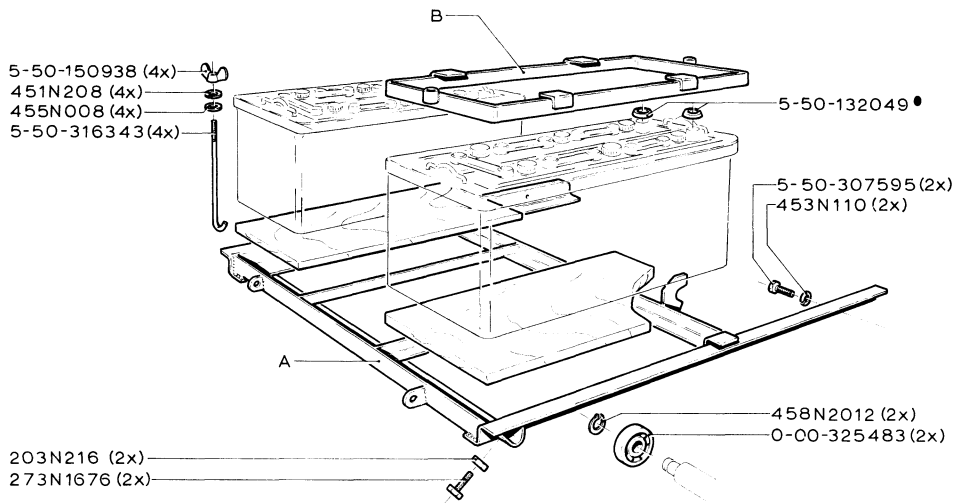
Printed in Holland



5-50-32



0767



	A	B
33/1	5-50-312584	5-50-317918 (2x)
33/2	5-50-522403	5-50-522402(2x)

*N260 T150*

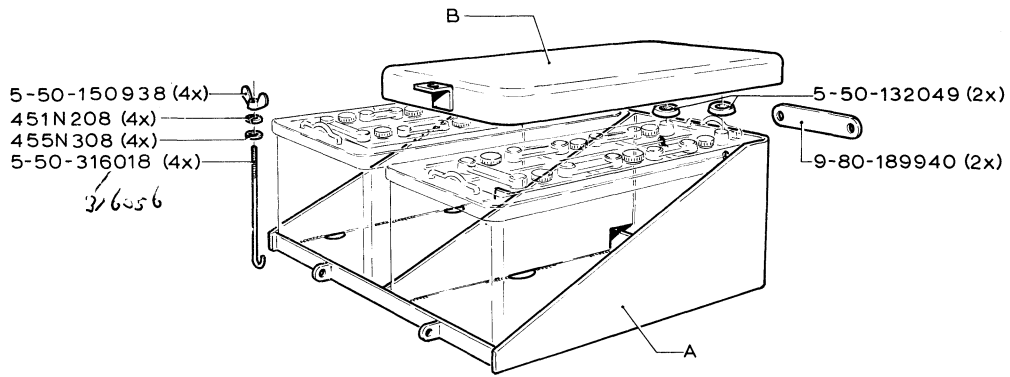
Printed in Holland



5-50-33





0767

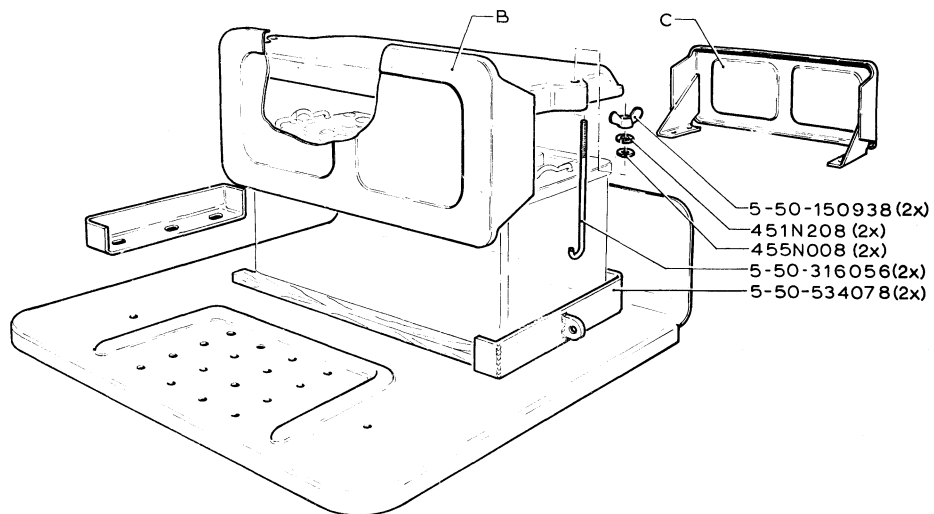


	A	B
35/1	5-50-531098	5-50-317918 (2x) <i>316018 7</i>

Printed in Holland



 5-50-35 

0268



	B	C
36/1	5-50-534080	1-12-189975

Printed in Holland

 5-50-36 

0767