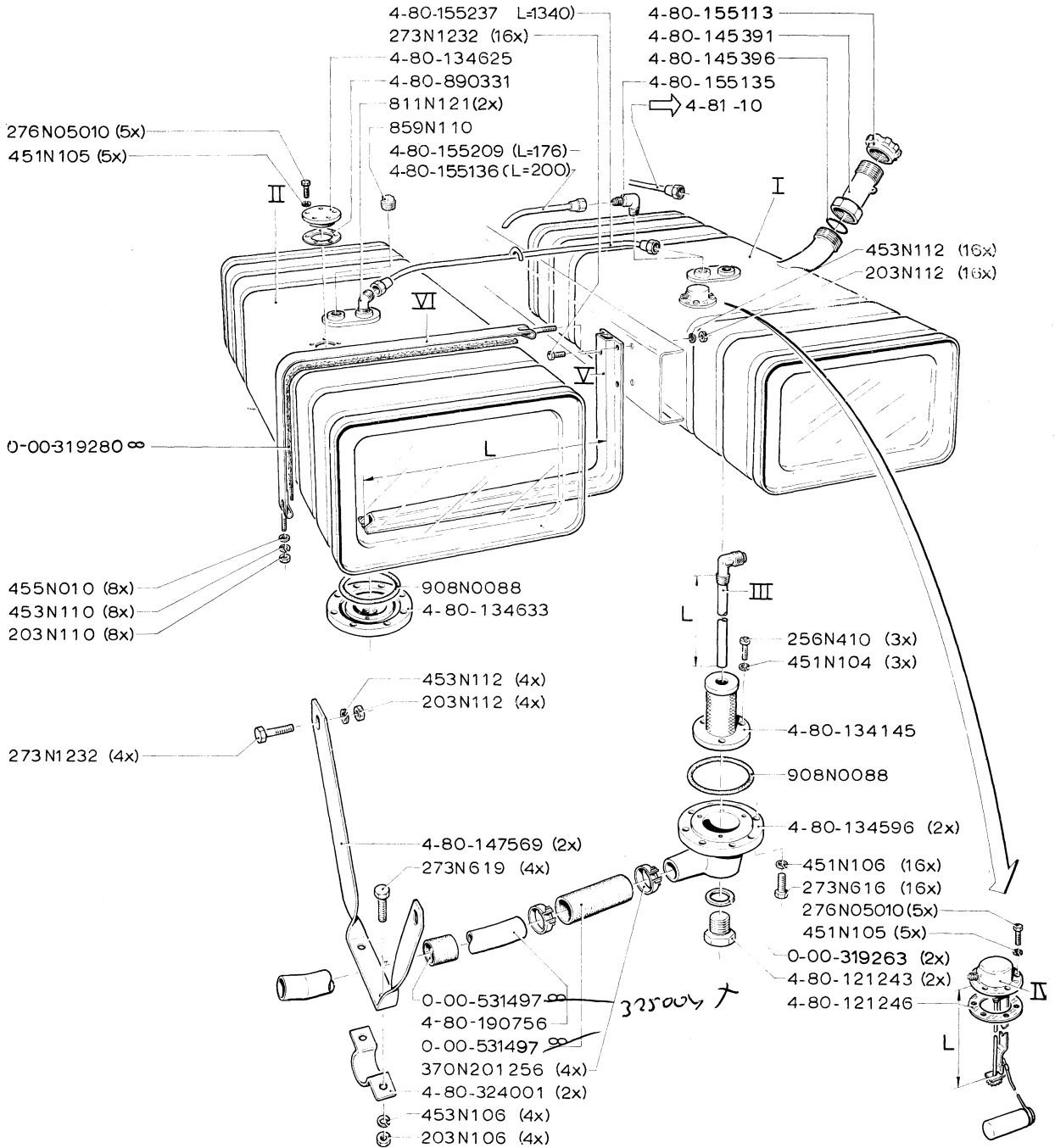
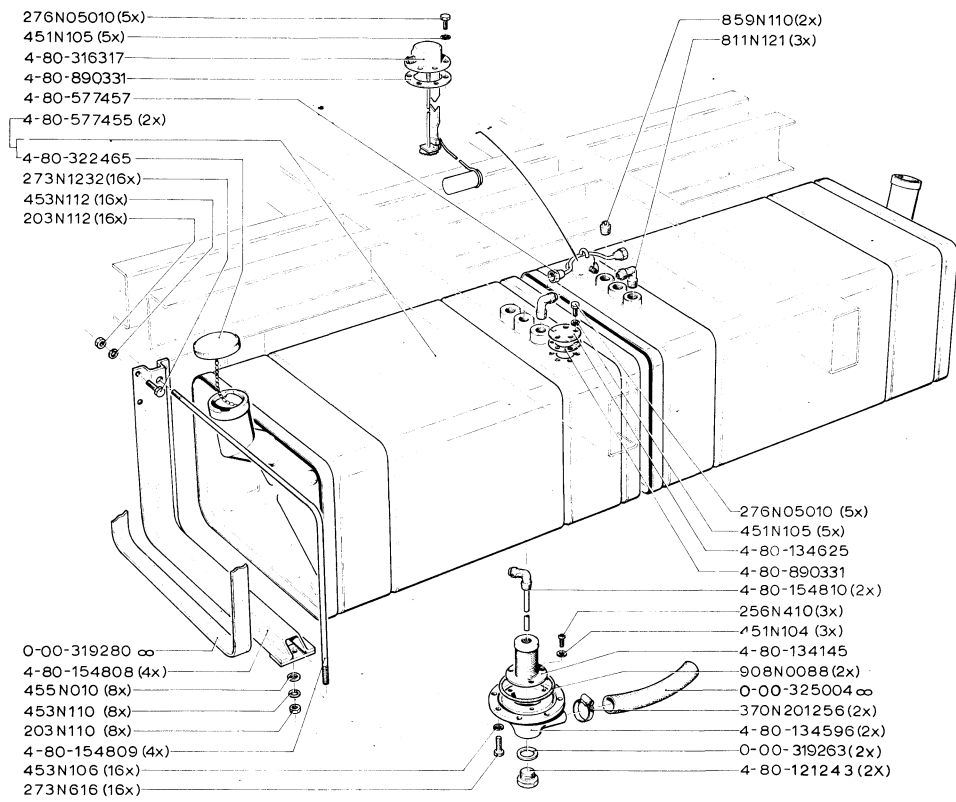


	120 L.	150 L.	200 L.
I	4-80-145390	4-80-307870	4-80-154807
II	4-80-154548	4-80-307870	4-80-154807
III	4-80-134624 (L=325)	4-80-134624 (L=325)	4-80-154810 (L= 440)
IV	4-80-316316 (L=179)	4-80-316316 (L=179)	4-80-316317 (L= 219)
V	4-80-147564 (L=455)	4-80-308546 (L=500)	4-80-154808 (H= 481)
VI	4-80-131804 (L=710)	4-80-308547 (L=755)	4-80-308015 (H= 351)
VII	4-80-147569 (2x) (L=288)	4-80-147569 (2x) (L=288)	4-80-154809 (L=1087)
VIII	4-80-155113	4-80-322465	4-80-147569 (2x) (L= 288)
			4-80-190757 2x (L= 405)
			4-80-155113

N 210 T 15-2



	120 L.	200 L.
I	4-80-145564	4-80-216115
II	4-80-145564	-
III	4-80-134624 (L=325)	4-80-154810 (L= 440)
IV	4-80-316316 (L=179)	4-80-316317 (L= 219)
V	4-80-147564 (L=455)	4-80-154808 (L= 533)
VI	4-80-131804 (L=710)	4-80-154809 (L=1087)

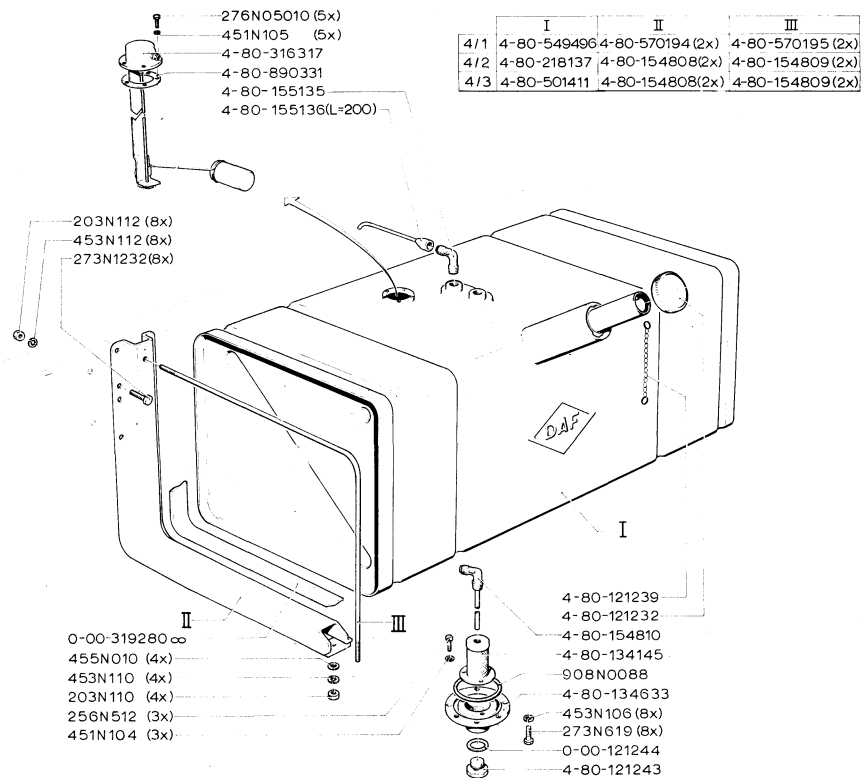


4-80-3



Printed in Holland

1267

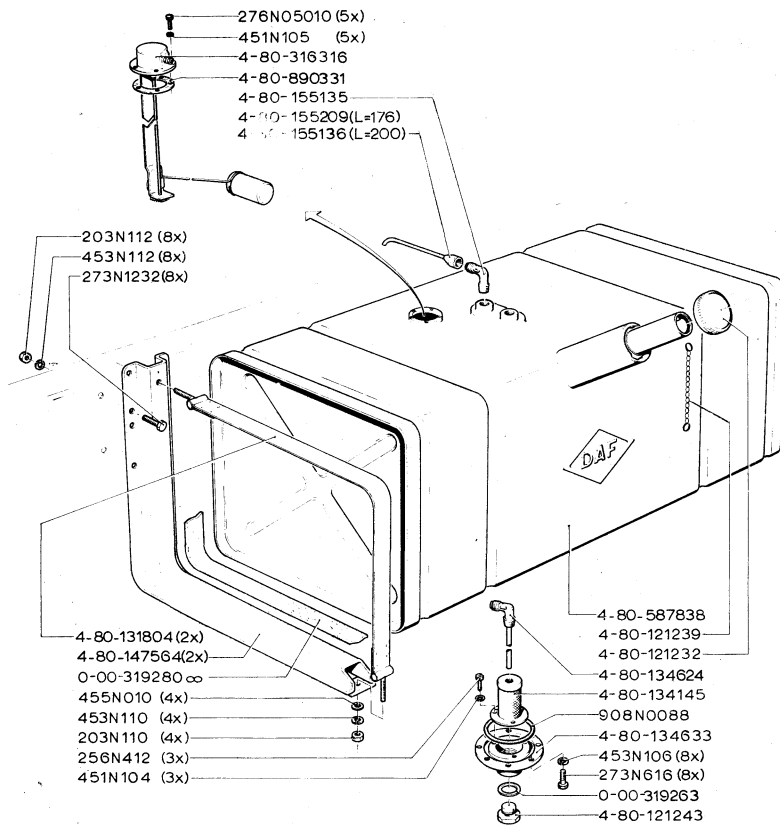


4-80-4



Printed in Holland

0568

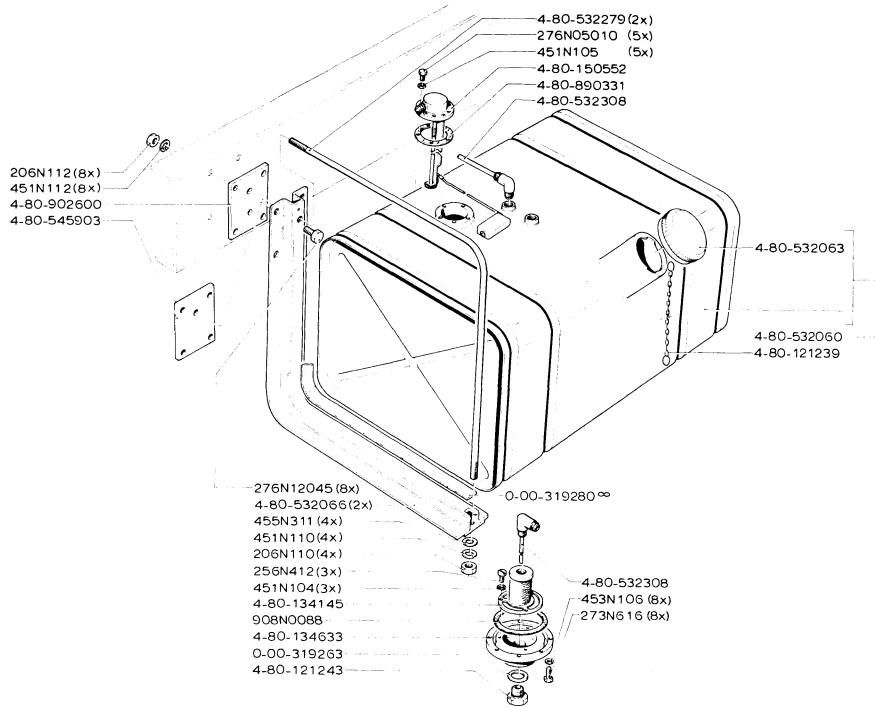


Printed in Holland



4-80-6



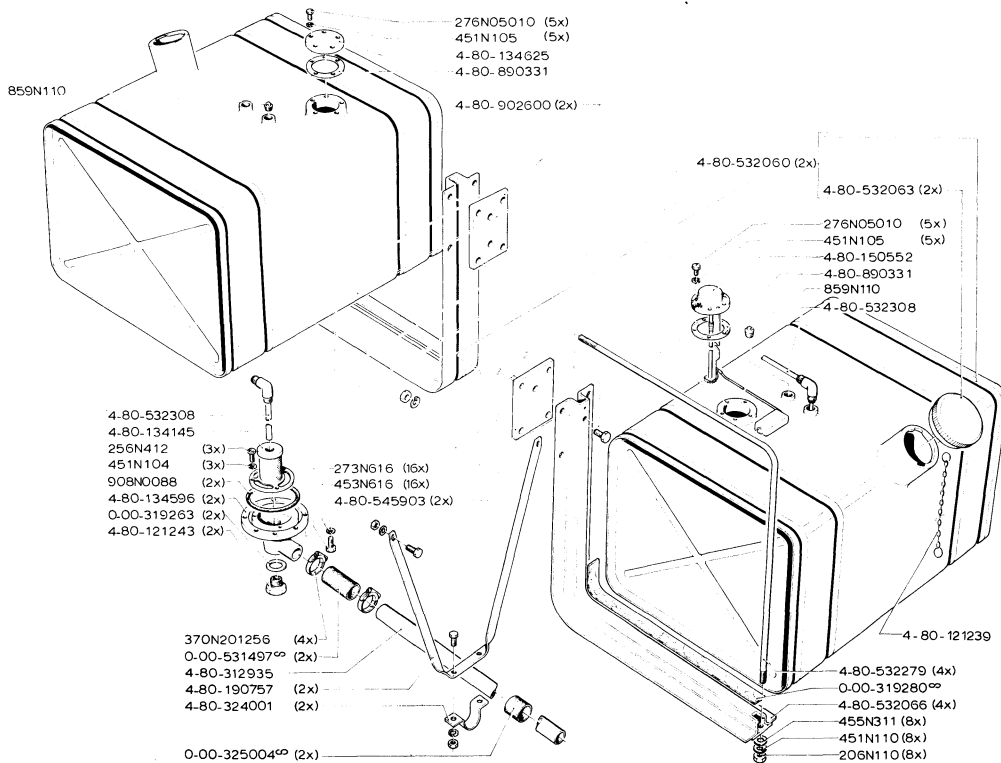


4-80-7



Printed in Holland

0567



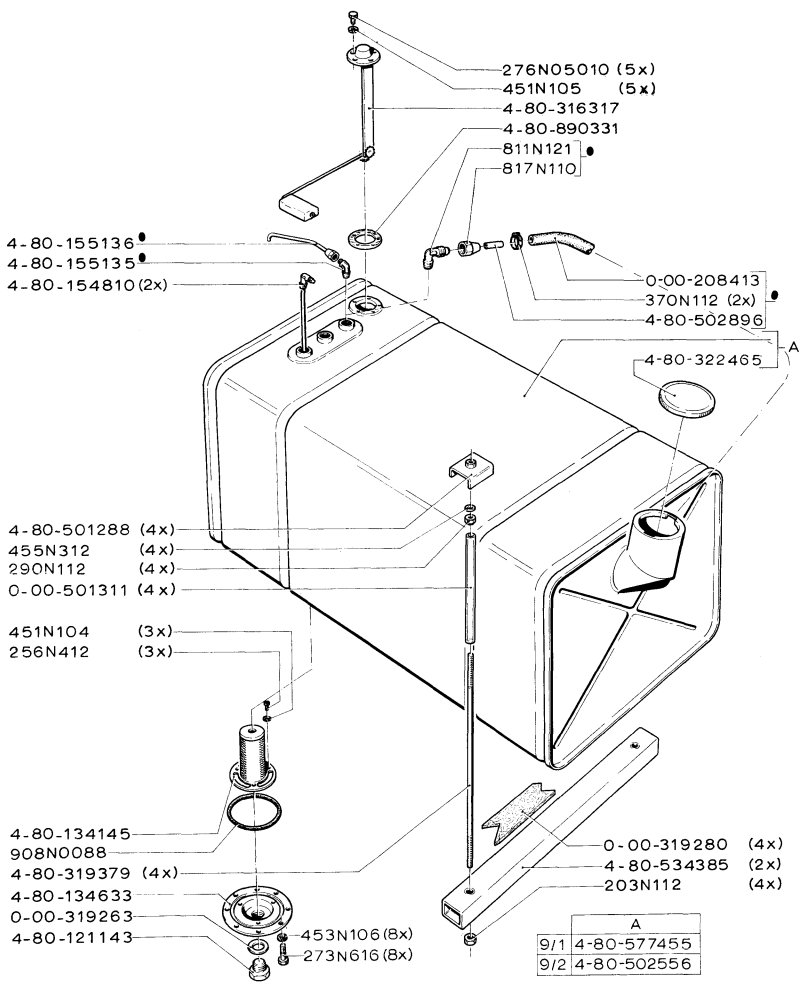
4-80-8



Printed in Holland

Handwritten signature

0567



Printed in Holland



4-80-9



0868

4-80-10

0465



4-81-10

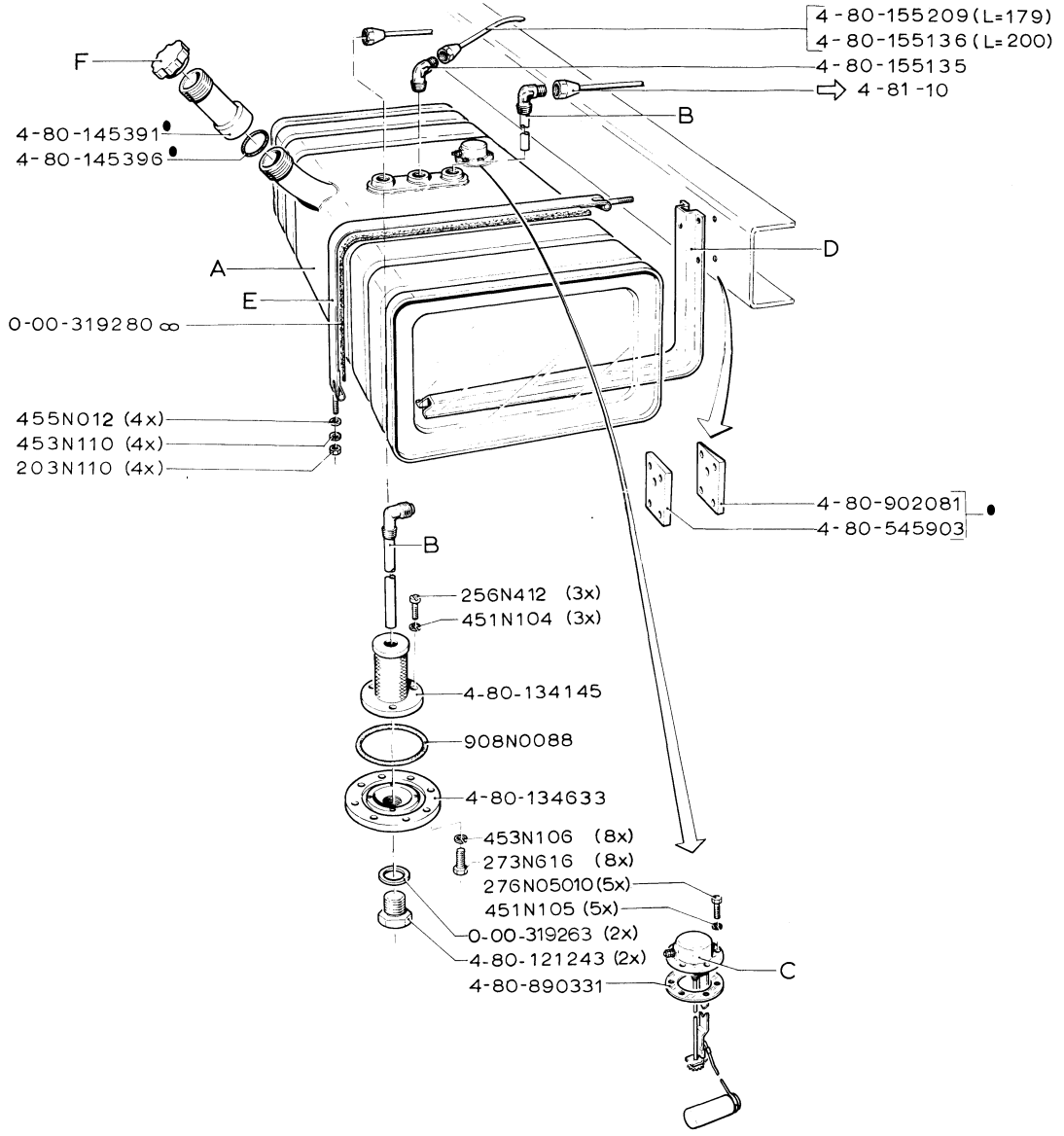
Printed in Holland



4-80-10



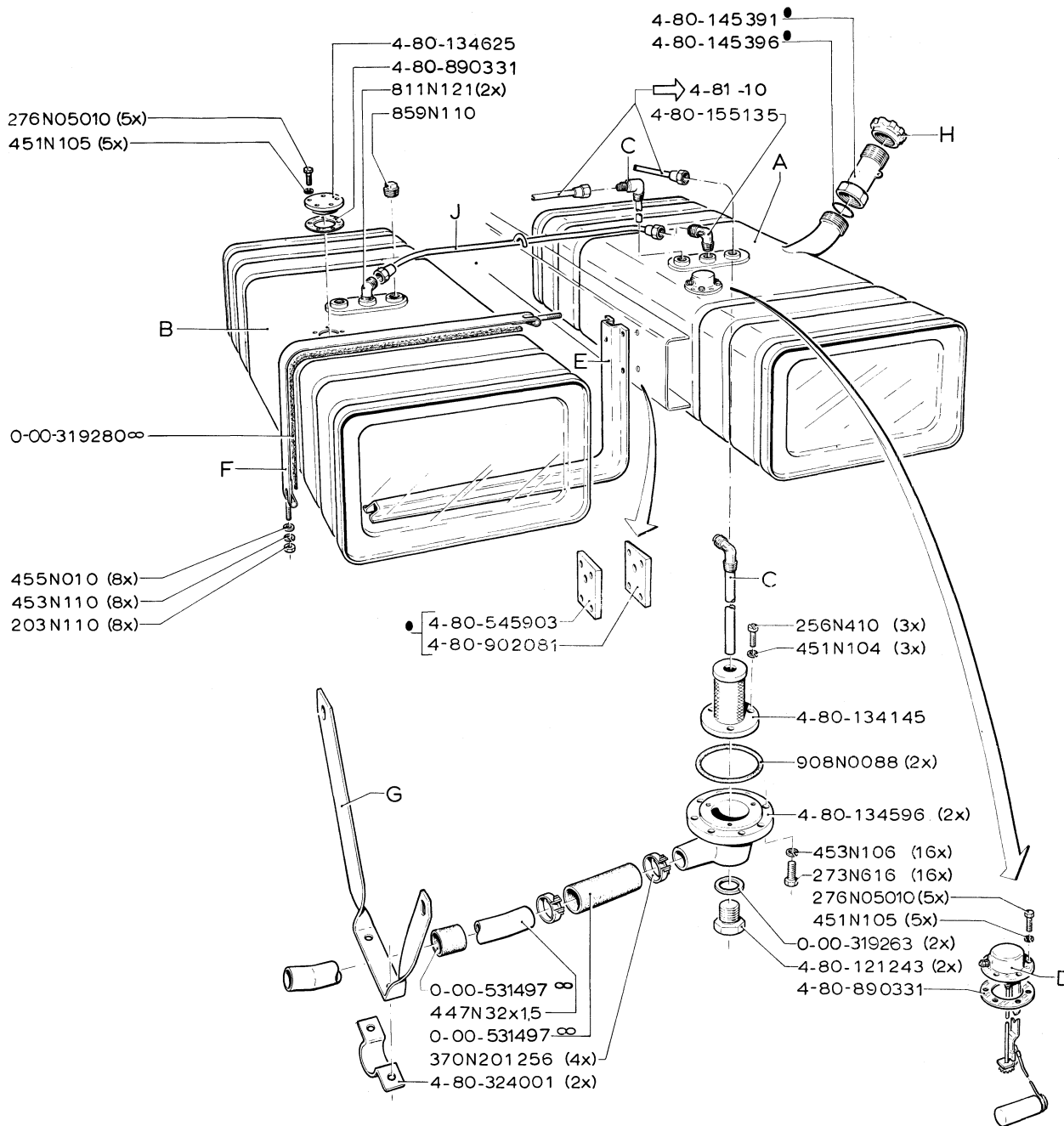
1287



	A	B	C	D(2x)	E(2x)	F
	4-80	4-80	4-80	4-80	4-80	4-80
11/1 120 L	145390	134624	316316	147564	131804	155113
11/2 150 L	307870	134624	316316	308546	308547	322465
11/3 200L	154807	154810	316317	154808	154809	155113



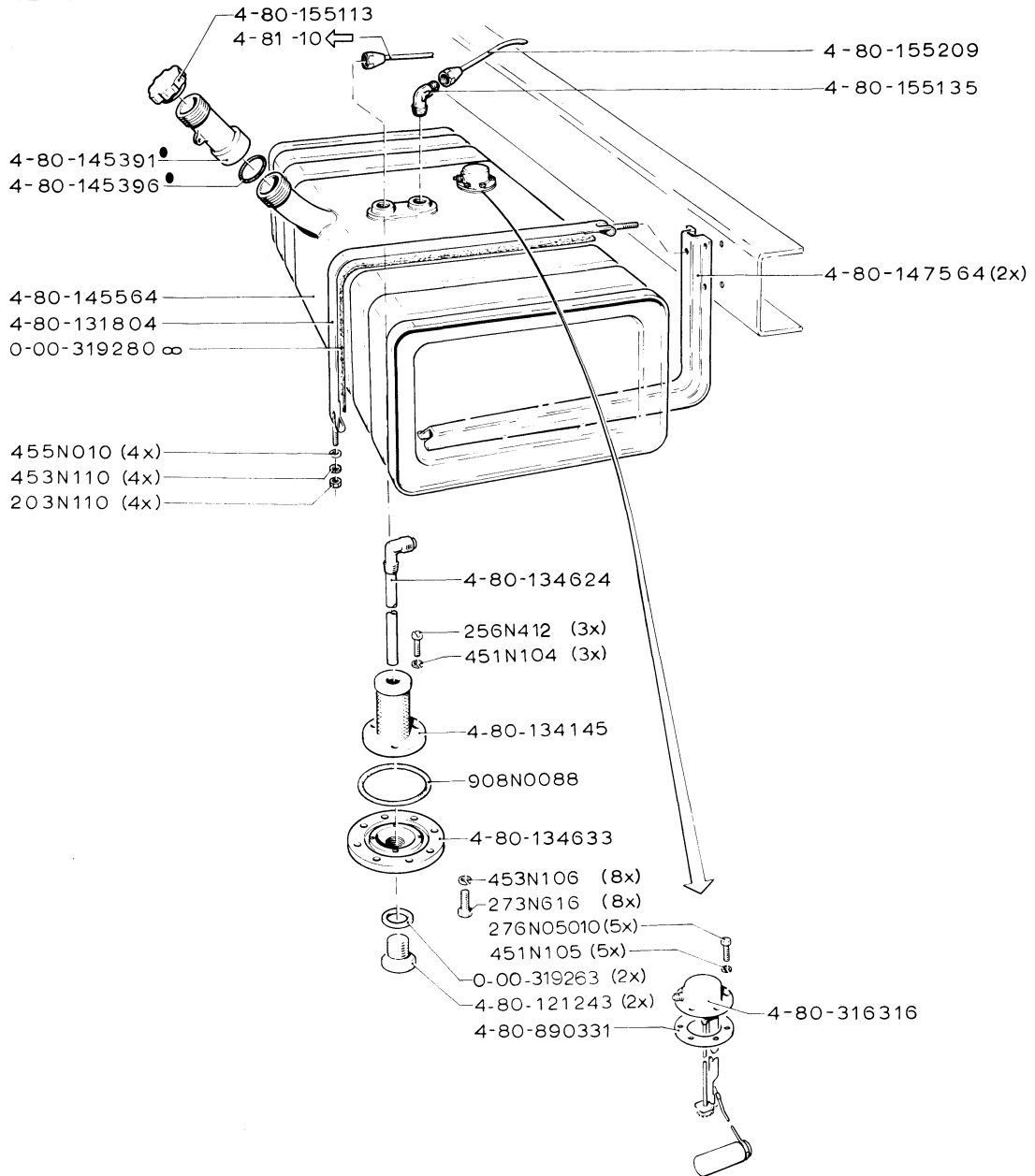
11 20 21 170



	A	B	C	D	E(4x)	F(4x)	G(2x)	H	J
	4-80	4-80	4-80	4-80	4-80	4-80	4-80	4-80	4-80
12/1	120 L 145390	154548	134624	316316	147564	131804	147569	155113	155237
12/2	150 L 307870	307870	134624	316316	308546	308547	147569	322465	155237
12/3	200 L 154807	154807	154810	316317	154808	154809	190757	155113	155237
12/4	200 L 154807	154807	154810	316317	154808	154809	190757	155113	217456



120 L



N 20 T 152



200 L

