

SMEERSchema



26.0216/2



20.0932/1



26.0442



12.0189/1



14.0611/1



08.571/1



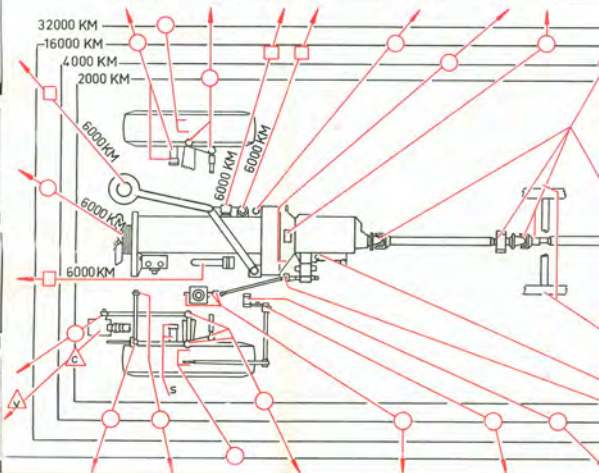
20.0942/1



20.0294



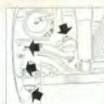
35.0142/1



17.0182/1



17.0181/1



08.0872/1



35.0761/1



12.0185/1



SMEERSchema



08.871/1



20.0042/1



20.02294



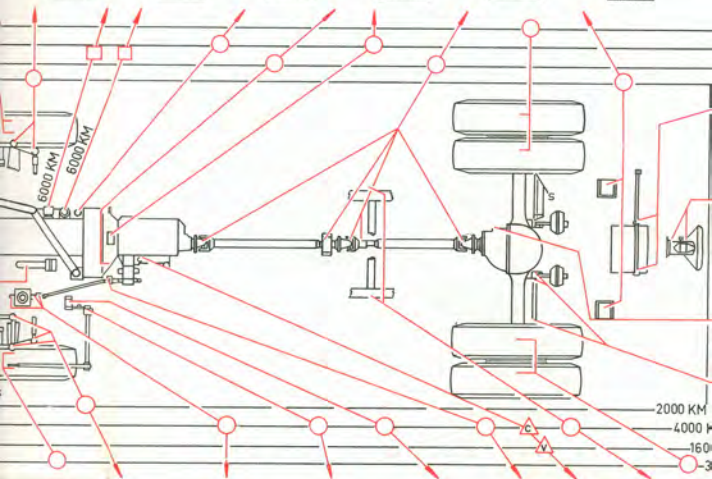
35.0142/1



39.054/1



05.095/1



17.0181/1



08.0672/1



36.0761/1



12.0185/1



03.097/1



39.035/1



05.096/1

SMEERSHEMA



20.02294



85.0142/1

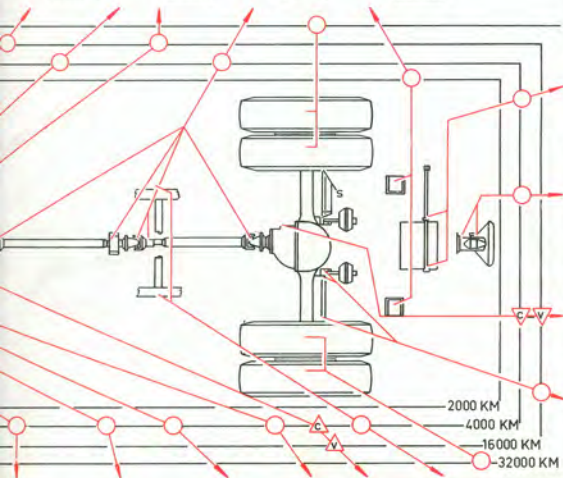


89.094/1



08.095/1

○	Multipurpose vet	V	Verversen
△	Transmissie olie	S	Symmetrisch
▽	Hypoid olie	C	Controleren
□	Motor olie		



11.057/1



89.055/1



08.068/1



08.0610/2



88.0781/1



12.0185/1



05.097/1



89.055/1



03.096/1

05305.063/3