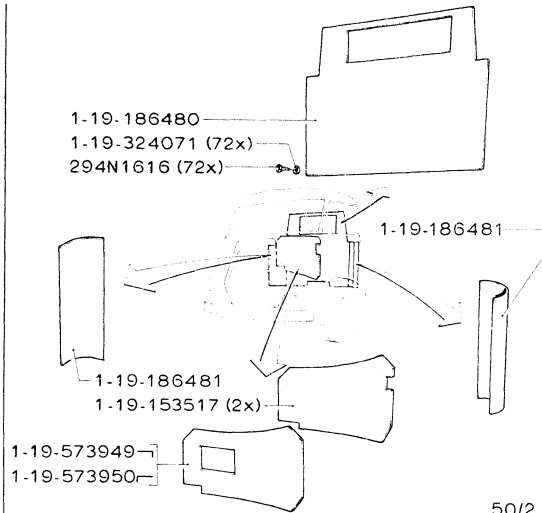
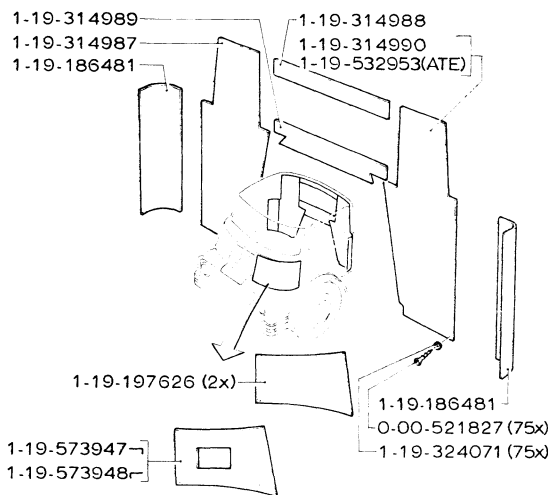


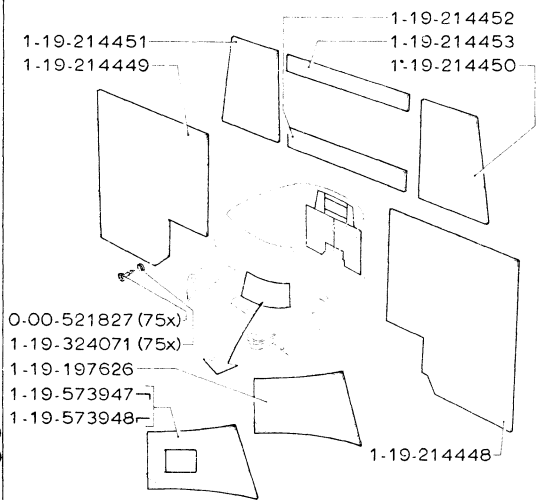
50/1



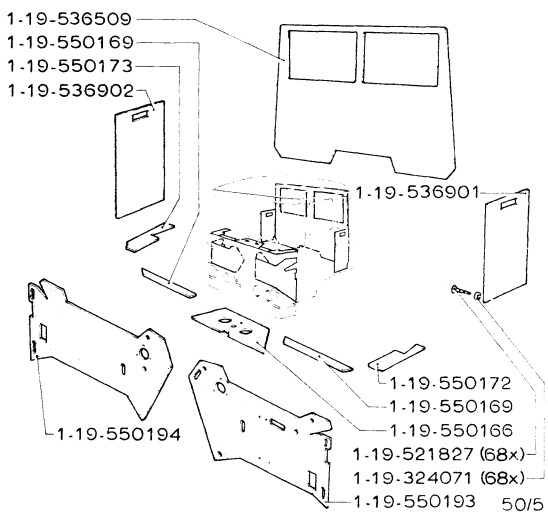
50/2



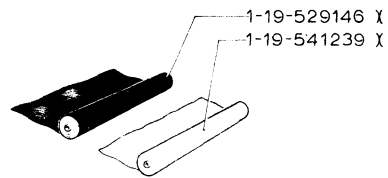
50/3



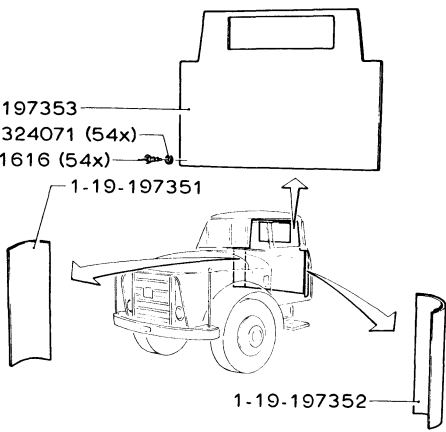
50/4



50/5

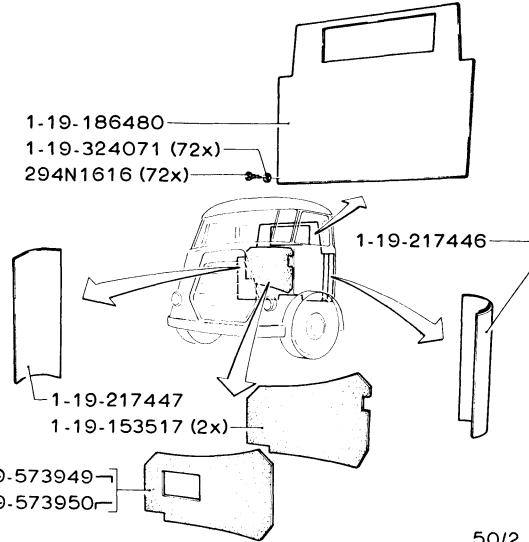


1-19-197353
 1-19-324071 (54x)
 294N1616 (54x)

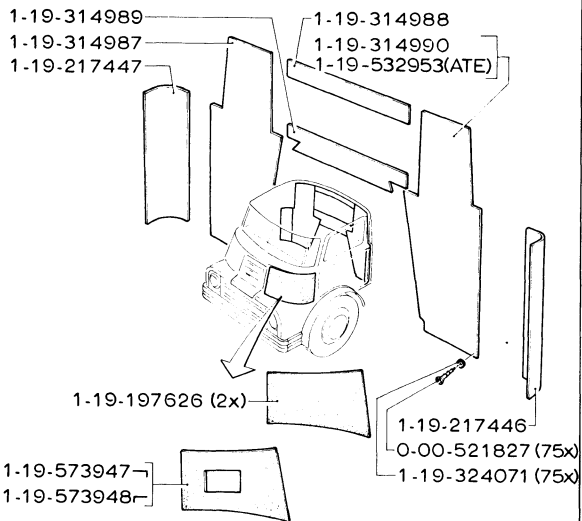


50/1

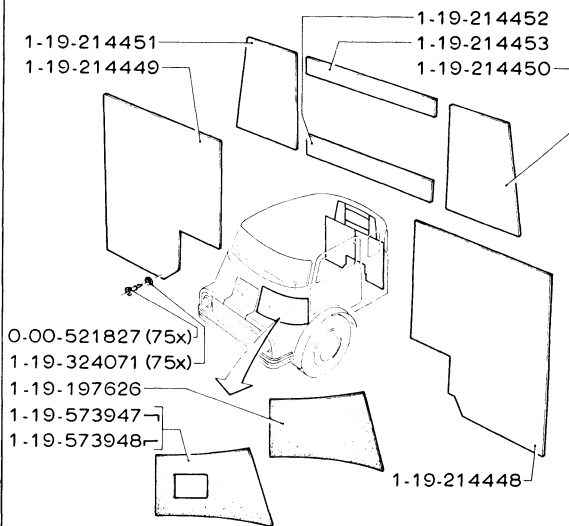
1-19-186480
 1-19-324071 (72x)
 294N1616 (72x)



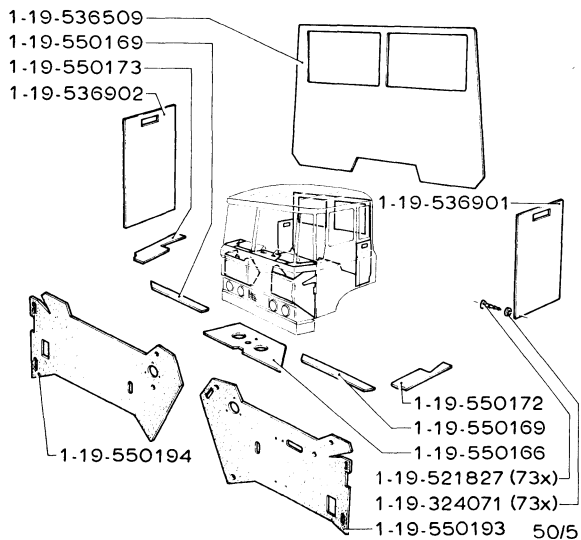
50/2



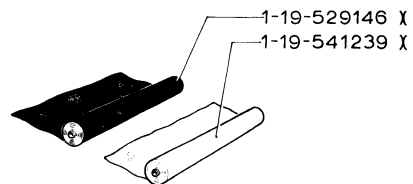
50/3



50/4



50/5

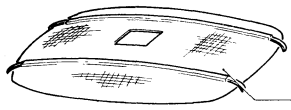




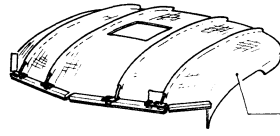
INTERIEUR CABINE
CABIN INTERIOR
INTERIEUR DE CABINE

FAHRERHAUS INNENAUSSTATTUNG
INTERIOR DE CABINA

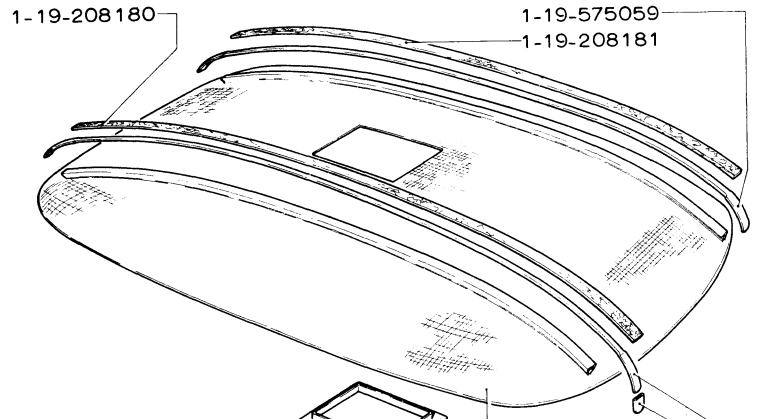
119



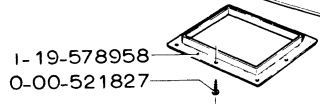
- | | |
|------|-------------|
| 61/1 | 1-19-382054 |
| 61/2 | 1-19-382053 |



- | | |
|------|-------------|
| 60/1 | 1 19-382049 |
| 60/2 | 1-19 382050 |

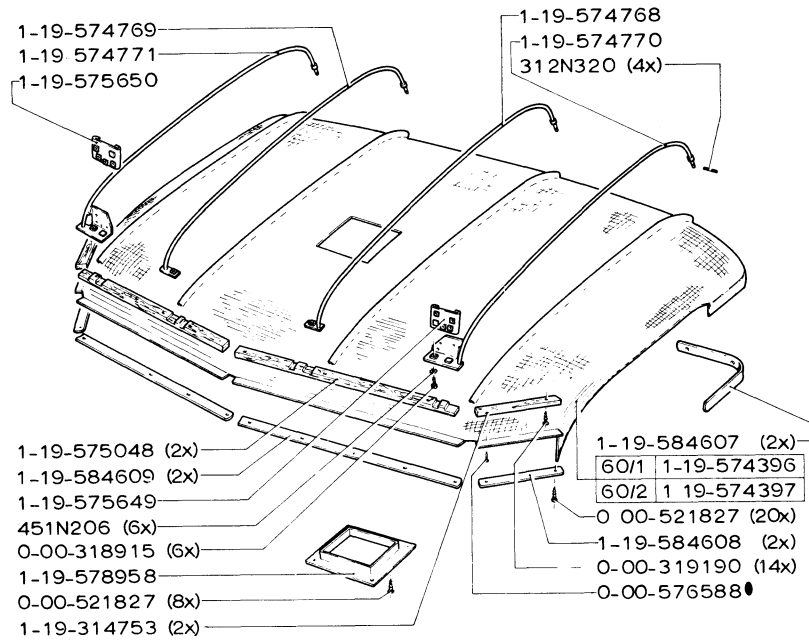


- | | |
|-------------|-------------|
| 1-19-208180 | 1-19-575059 |
| | 1-19-208181 |



- | | |
|-------------|--|
| 1-19-578958 | |
| 0-00-521827 | |

- | | |
|------|------------------|
| 61/1 | 1-19 197363 |
| 61/2 | 1-19 574401 |
| | 1-19-529098 (4x) |
| | 1-19-575058 |



- | | |
|-------------|--|
| 1-19-574769 | |
| 1-19 574771 | |
| 1-19-575650 | |

- | | |
|--------------|--|
| 1-19-574768 | |
| 1-19-574770 | |
| 312N320 (4x) | |

- | | |
|------------------|--|
| 1-19-575048 (2x) | |
| 1-19-584609 (2x) | |
| 1-19-575649 | |
| 451N206 (6x) | |
| 0-00-318915 (6x) | |
| 1-19-578958 | |
| 0-00-521827 (8x) | |
| 1-19-314753 (2x) | |

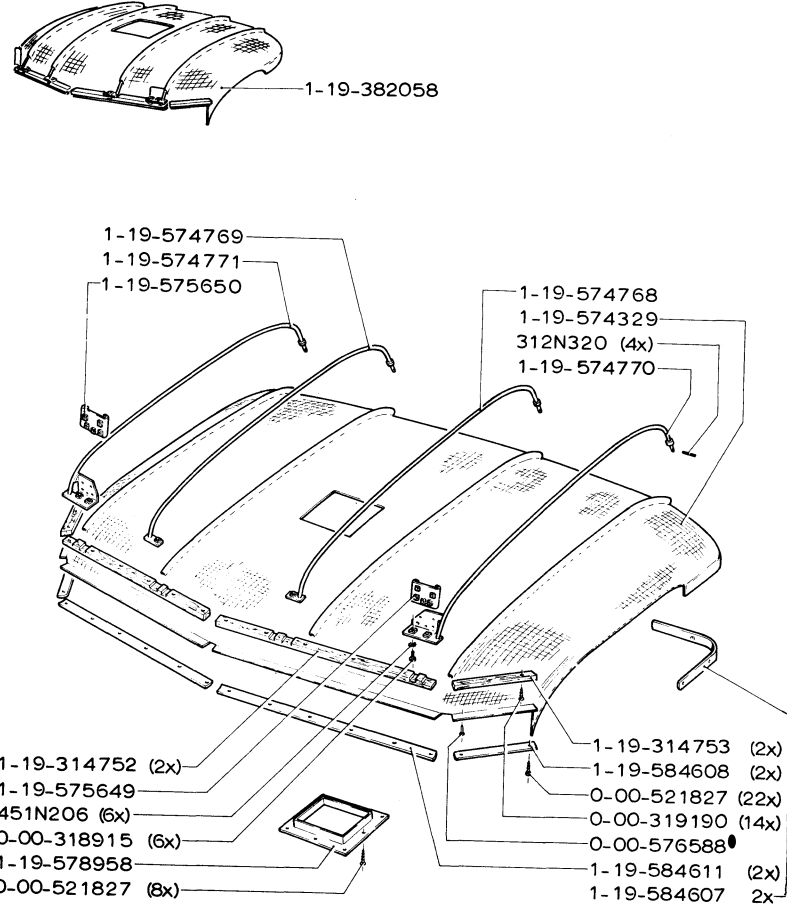
- | | |
|------------------|-------------------|
| 1-19-584607 (2x) | |
| 60/1 | 1-19-574396 |
| 60/2 | 1 19-574397 |
| | 0 00-521827 (20x) |
| | 1-19-584608 (2x) |
| | 0-00-319190 (14x) |
| | 0-00-576588 |

23

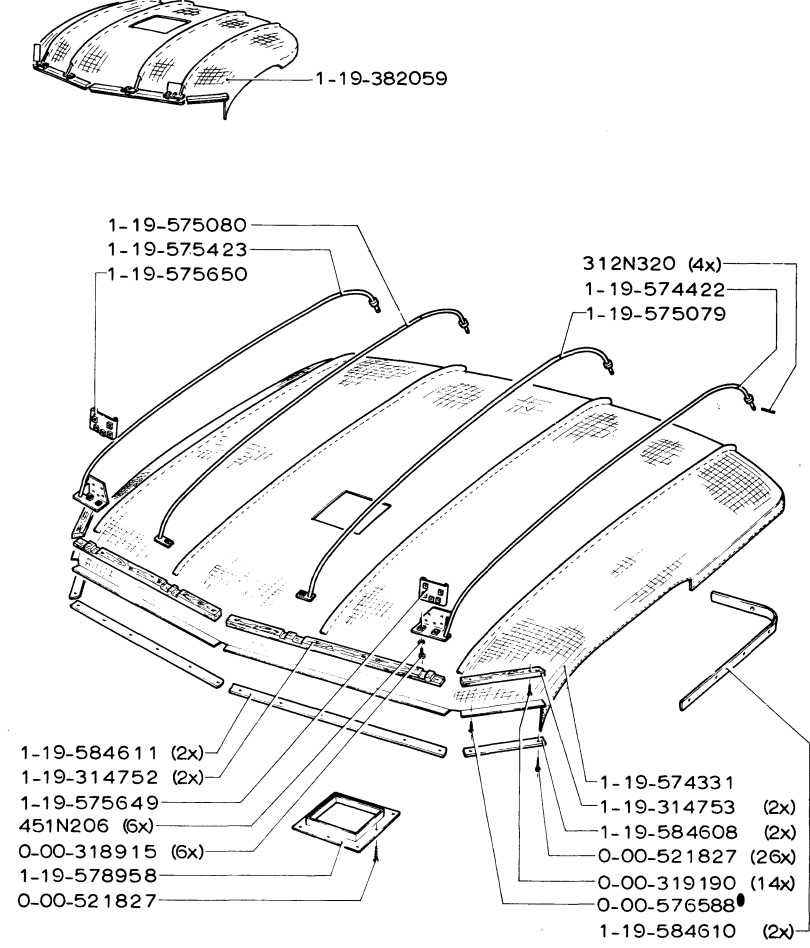
119

61

60



62



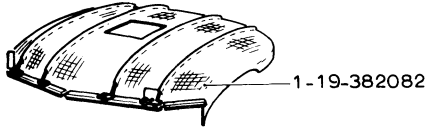
63



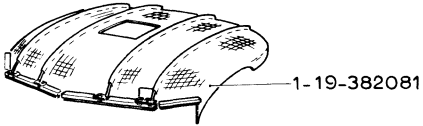
INTERIEUR CABINE
CABIN INTERIOR
INTERIEUR DE CABINE

FAHRERHAUS INNENAUSSTATTUNG
INTERIOR DE CABINA

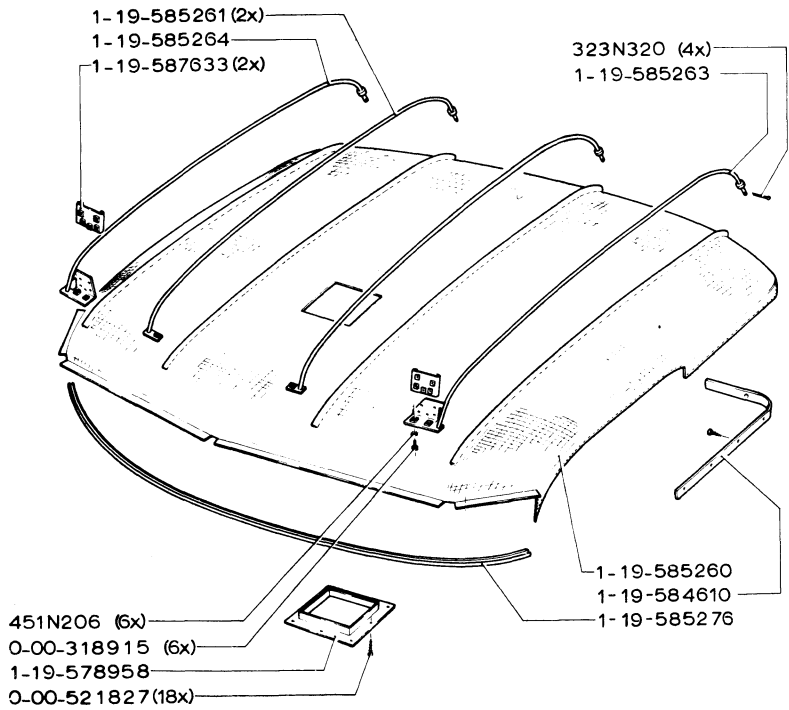
119



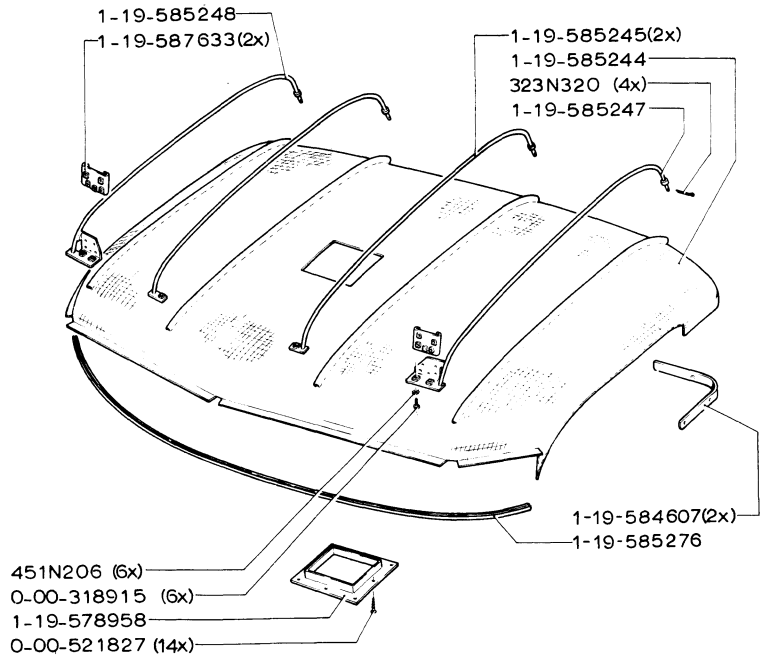
1-19-382082



1-19-382081



65



64

25

119



