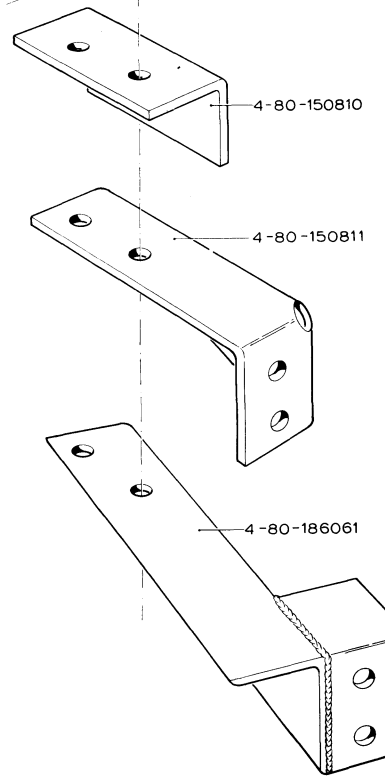
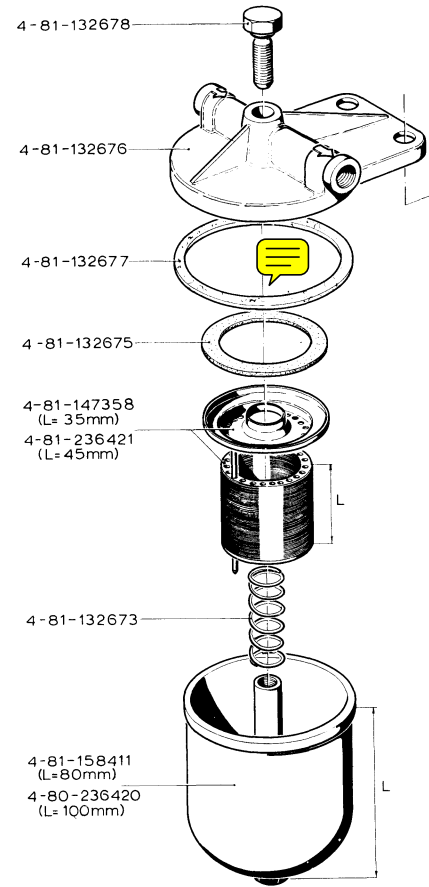
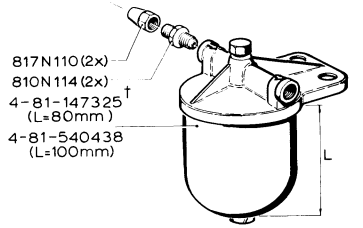


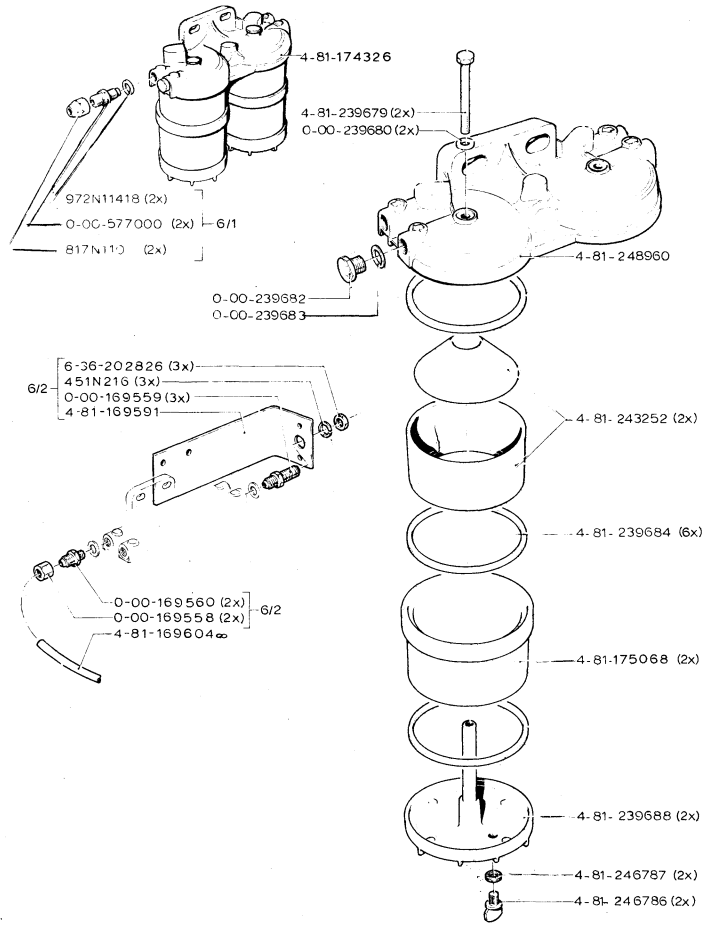
4-81-2



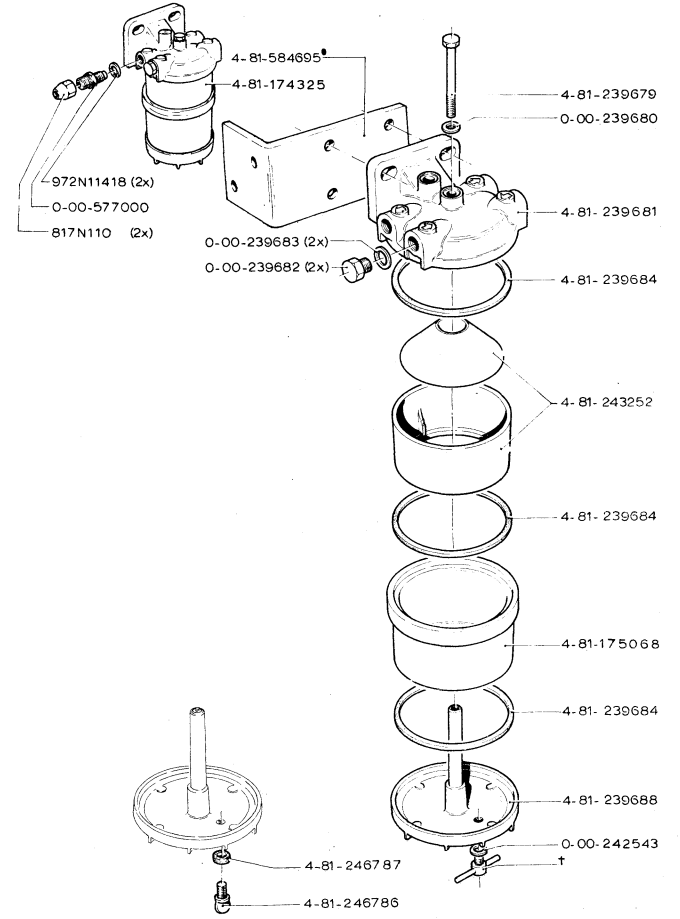
4-81-1



4-81-6



4-81-3

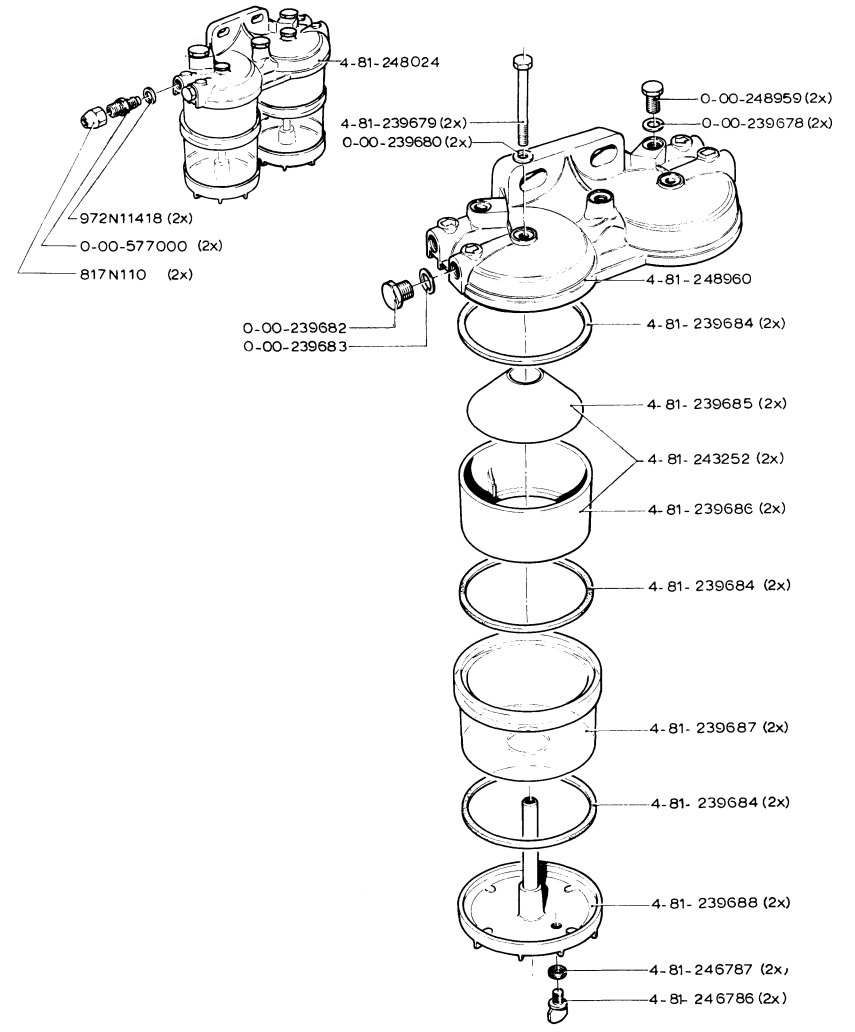


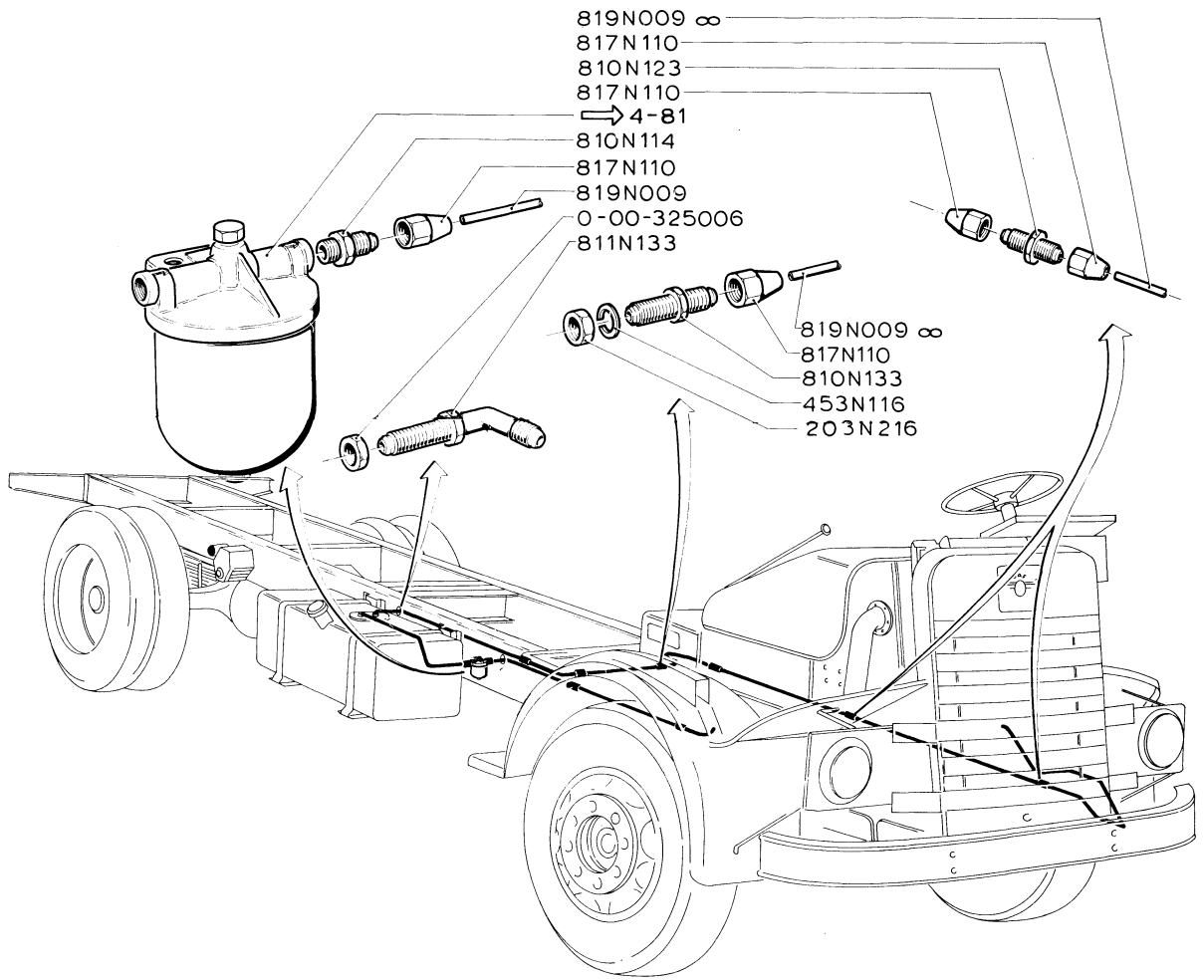
4296766

Printed in Holland



4-81-6





4-82 en → M  
 4-85

N250 T 152

