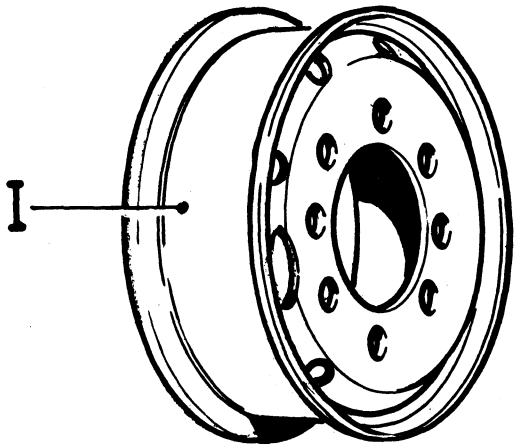
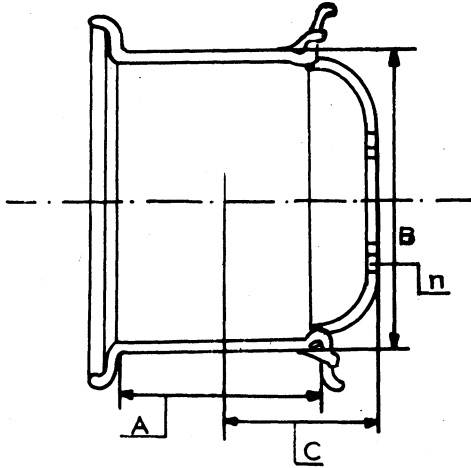
 Type Chassis Motor Asred.	1-00	3-30	5-75	5-70
	2-00	3-40	6-00	6-80
	2-38	4-10	6-60	7-42
	2-50	4-64	7-00	7-90
	3-00	4-87	7-20	7-91
	3-10	5-00	7-30	8-10
	3-20	5-20	7-41	9-00



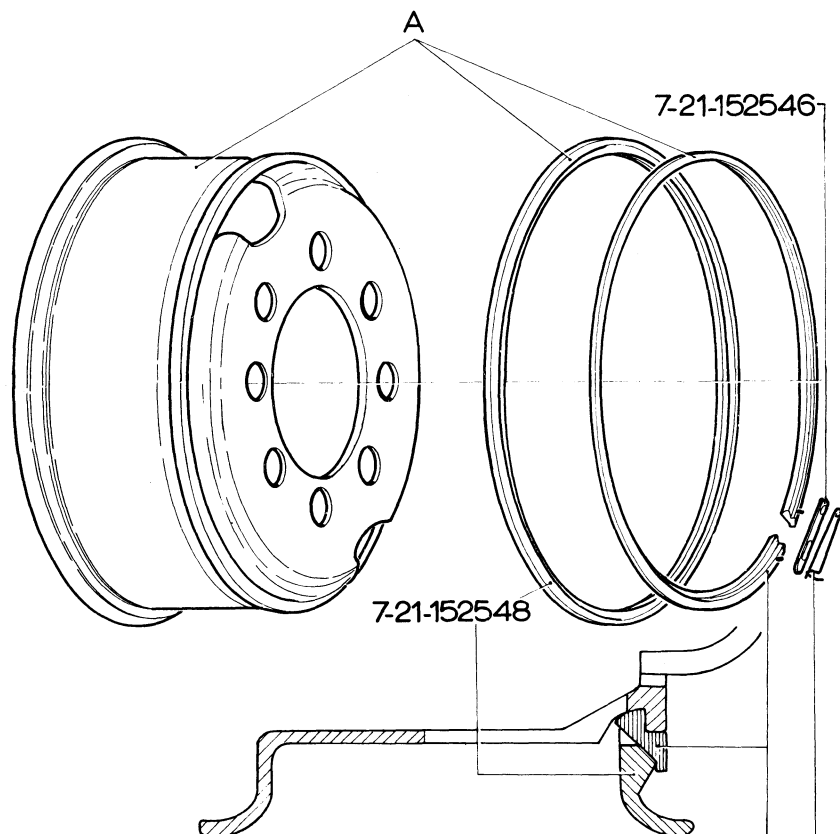
7-20

	I	A x B	C	n
11N60015	3/2	6.0 xx 20	128	8
11N65015	4	6.5 x 20	142	8
11N65026	7	6.5 x 20	146	10
11N75026	5/4	7.5 x 20	160	10
135544	1/1	5.008 x 20	124	8
138648	2	5.008 x 20	128	8
146882	3/2	6.0 x 20	128	8
146883	3/2	6.0 x 20	128	8
146884	4	6.5 x 20	142	8
185168	2	5.008 x 20	128	8
190345	5/3	7.0 x 20	153	8
190402	5/2	7.0 x 20	153	10
195331	4	6.5 x 20	142	8
196409	2	5.008 x 20	128	8
199950	5/4	7.5 x 20	160	10
202256	5/1	6.5 x 20	133	8
202756	5/4	7.5 x 20	160	10
213979	9/1	7.5 x 20	---	6
214823	8/1	7.0 x 20	153	8
216295	3/3	8.0 x 20	165	10
302554	5/4	7.5 x 20	160	10
305326	7	6.5 x 20	146	10
305345	5/4	7.5 x 20	160	10
305591	3/1	5.0 x 20	112	8
307189	5/4	7.5 x 20	160	10
307361	5/4	7.5 x 20	160	10
307484	8/2	8.5 x 20	172	10
307485	8/2	8.5 x 20	172	10
		7.5 x 20V	118	10
		6.5 x 20A	146	10
		6.5 x 20A	146	10
308010	6	6.5 x 20A	146	10
312598	5/4	7.5 x 20	160	10
312788	5/4	7.5 x 20	160	10
313795	5/4	7.5 x 20	160	10
522302	3/4	7.5 x 20	62	8
522303	4	6.5 x 20	142	8
524341	8/3	8.5 x 20	172	10
530026	9/4	8.0 x 22	---	6
532463	12/2	8.5 x 20	164	10
533270	9/3	8.5 x 20	---	6
543524	9/3	8.5 x 20	---	6
547412	1/2	5.008 x 20	135	8
572591	9/2	8.0 x 20	---	6
572702	10	6.007 x 20	138-140	8
576703	11	8.0 x 20	166	10
580690	12/1	8.50 x 20	164	10
599843	13/1		---	6
599844	13/2		---	6
599845	13/3		---	6
600841	12/2	8.5 x 20	164	10
600842	9/1	7.5 x 20	---	6
600843	9/2	8.0 x 20	---	6
600844	9/2	8.0 x 20	---	6
600845	9/3	8.5 x 20	---	6
600856	9/3	8.5 x 20	---	6
600917	12/2	8.5 x 20	164	10



7-21-I





A	
1/1	7-21-135545
1/2	7-21-547412

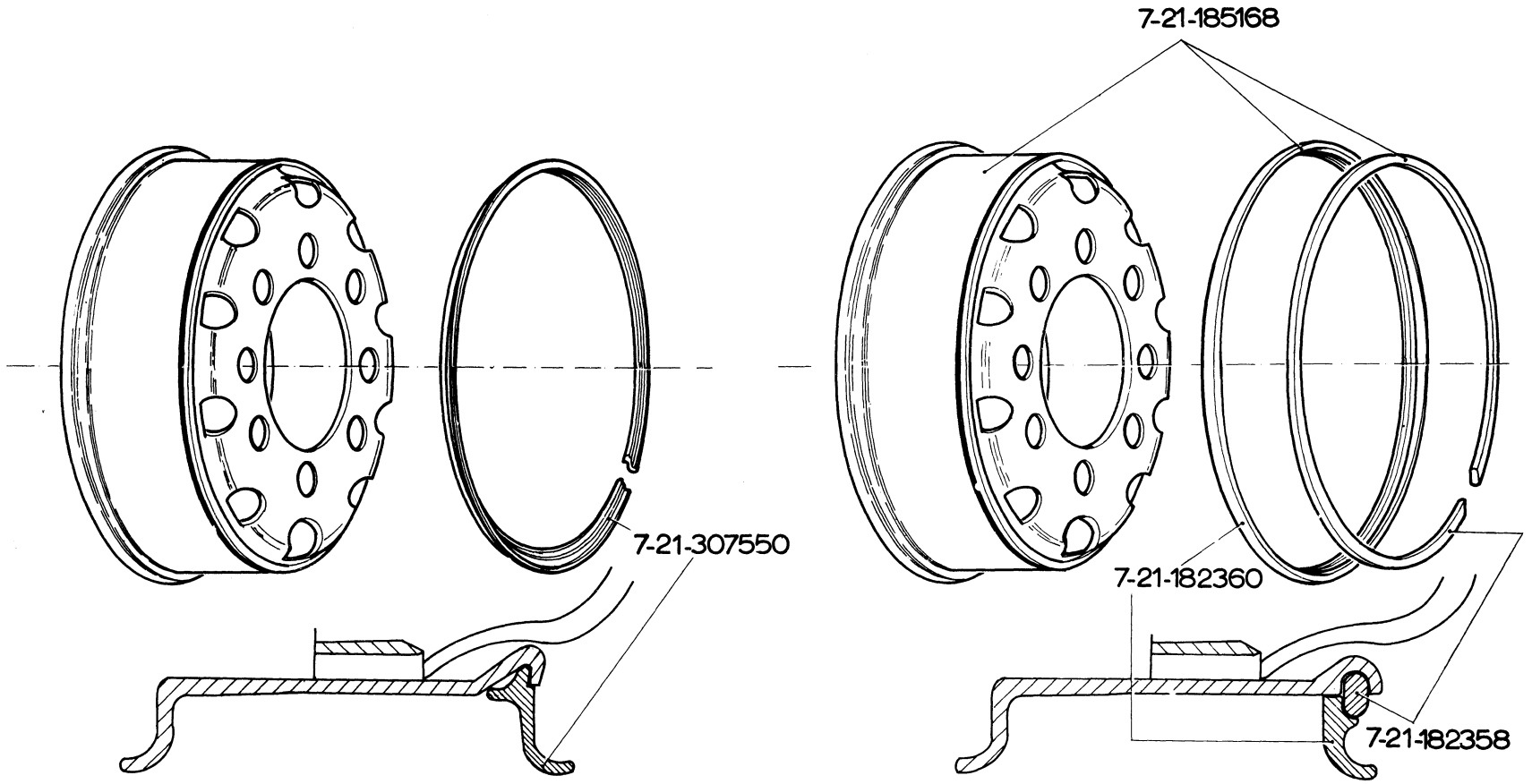
7-21-152545  
7-21-152547

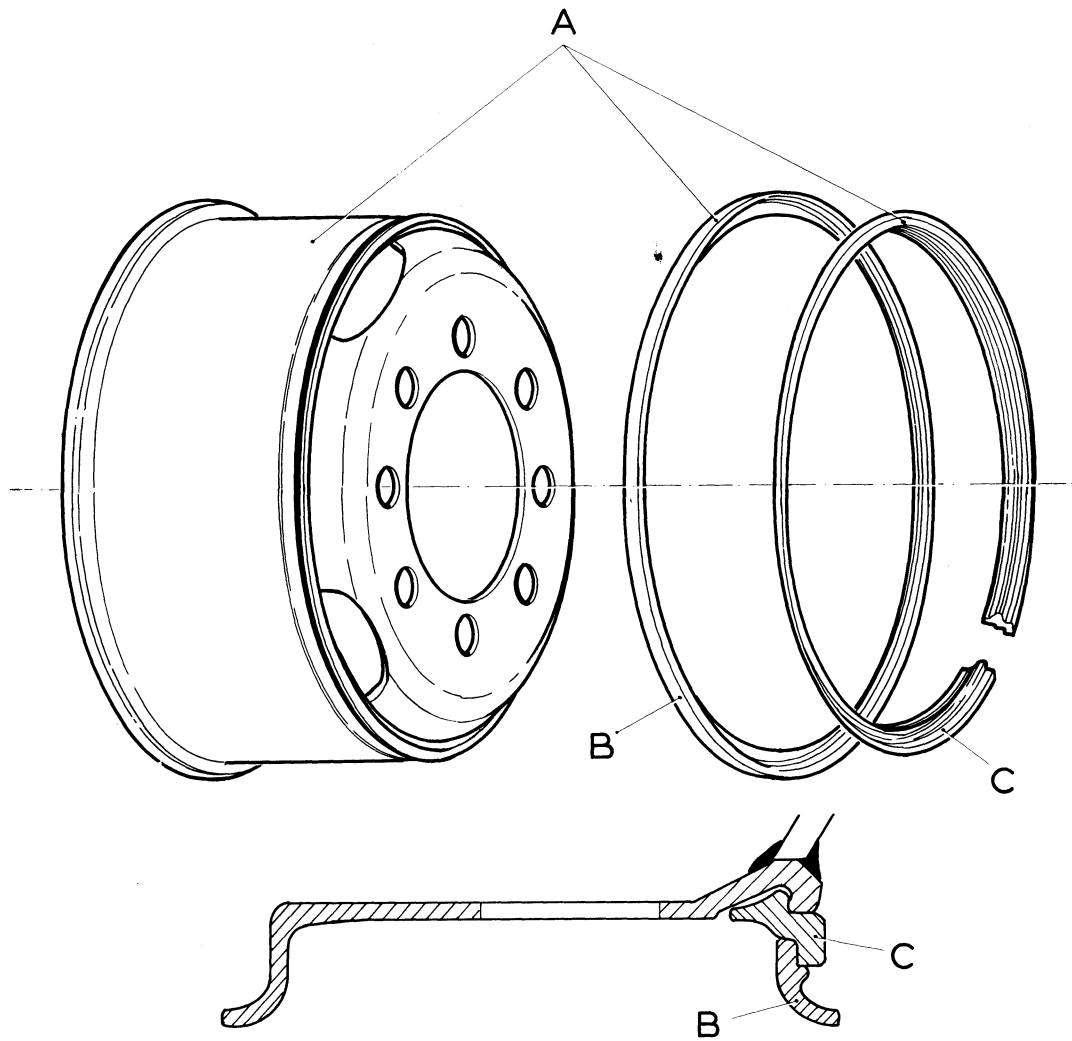
*N 250 T 152*





7-21-2

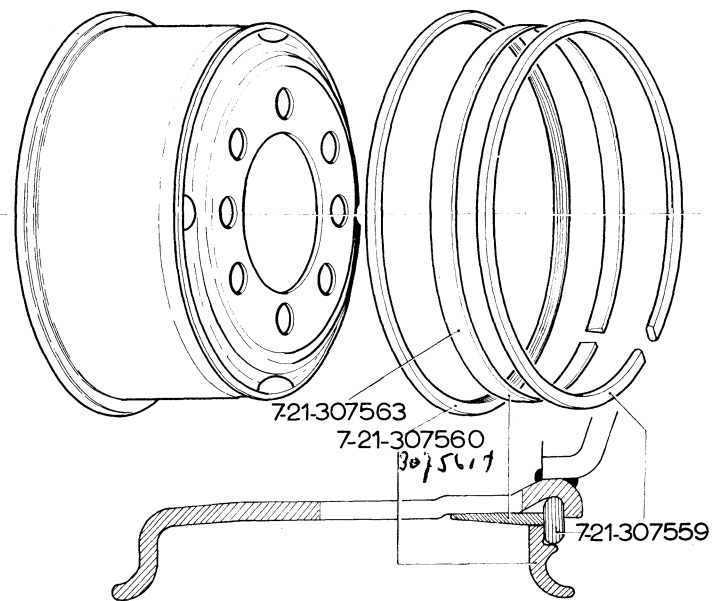
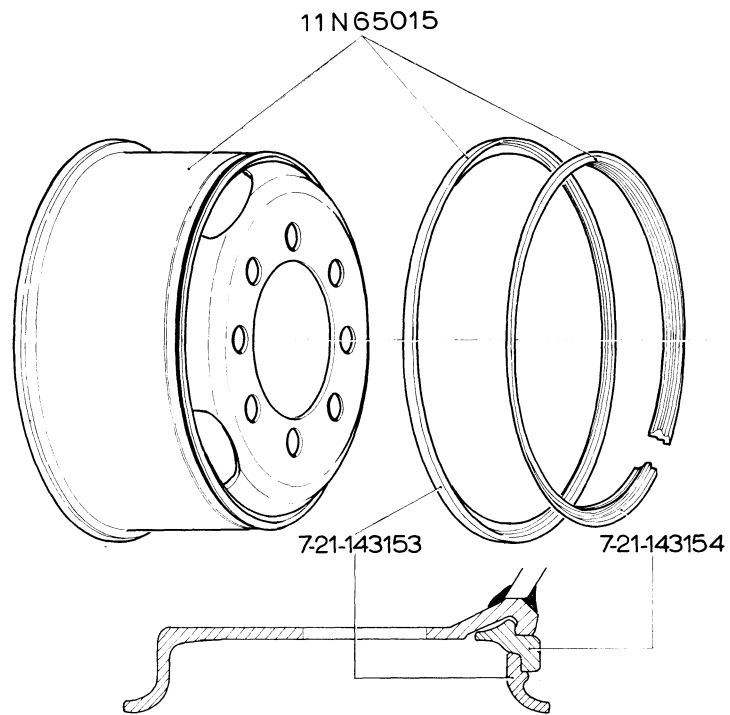




		A	B	C	
3/1	5.0x20	11N50015	7-21-143151	7-21-143154	3/1
3/2	6.0x20	11N60015	7-21-143151	7-21-143154	3/2
3/3	8.0x20	7-21-216295	7-21-132649	7-21-132650	3/3
3/4	7.5x20	11N75015	7-21-132649	7-21-132650	3/4

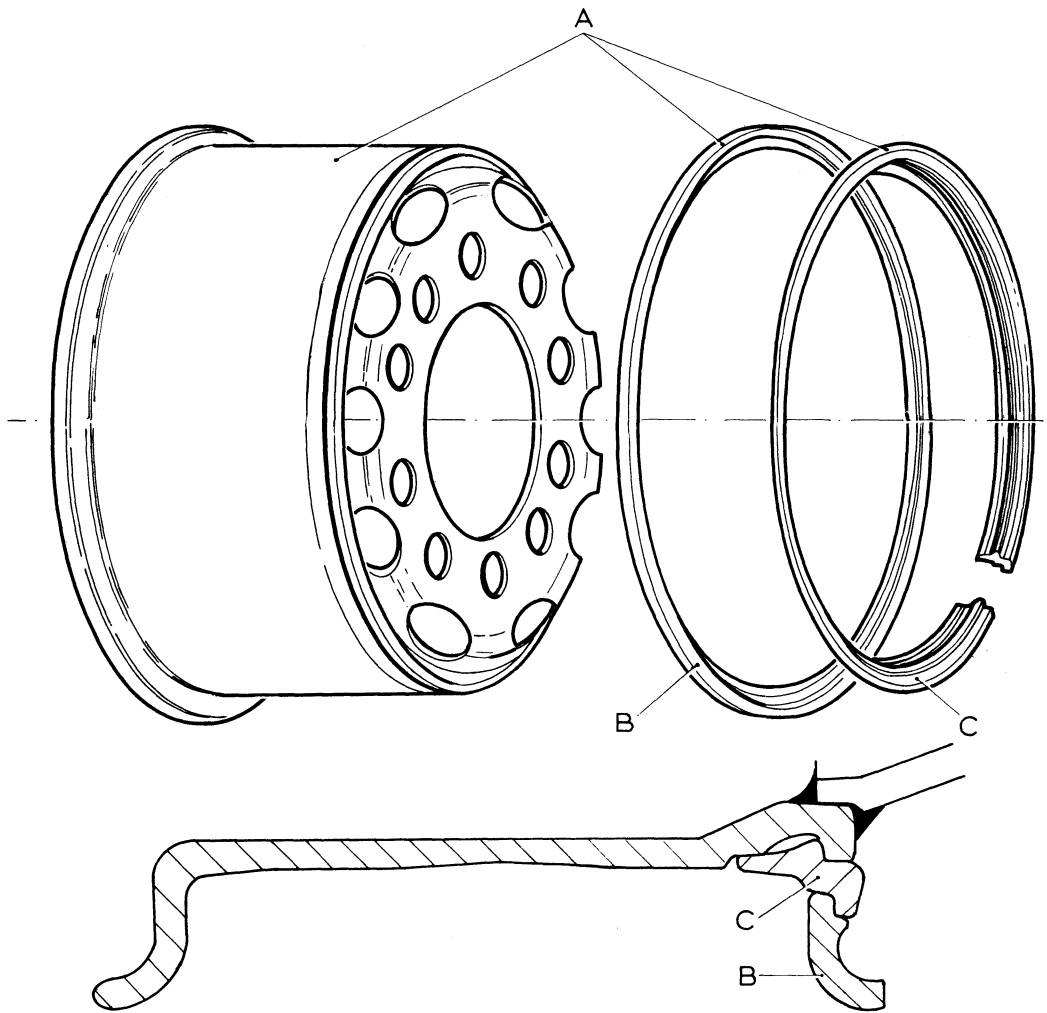
143154 +





*N 296 T 120*





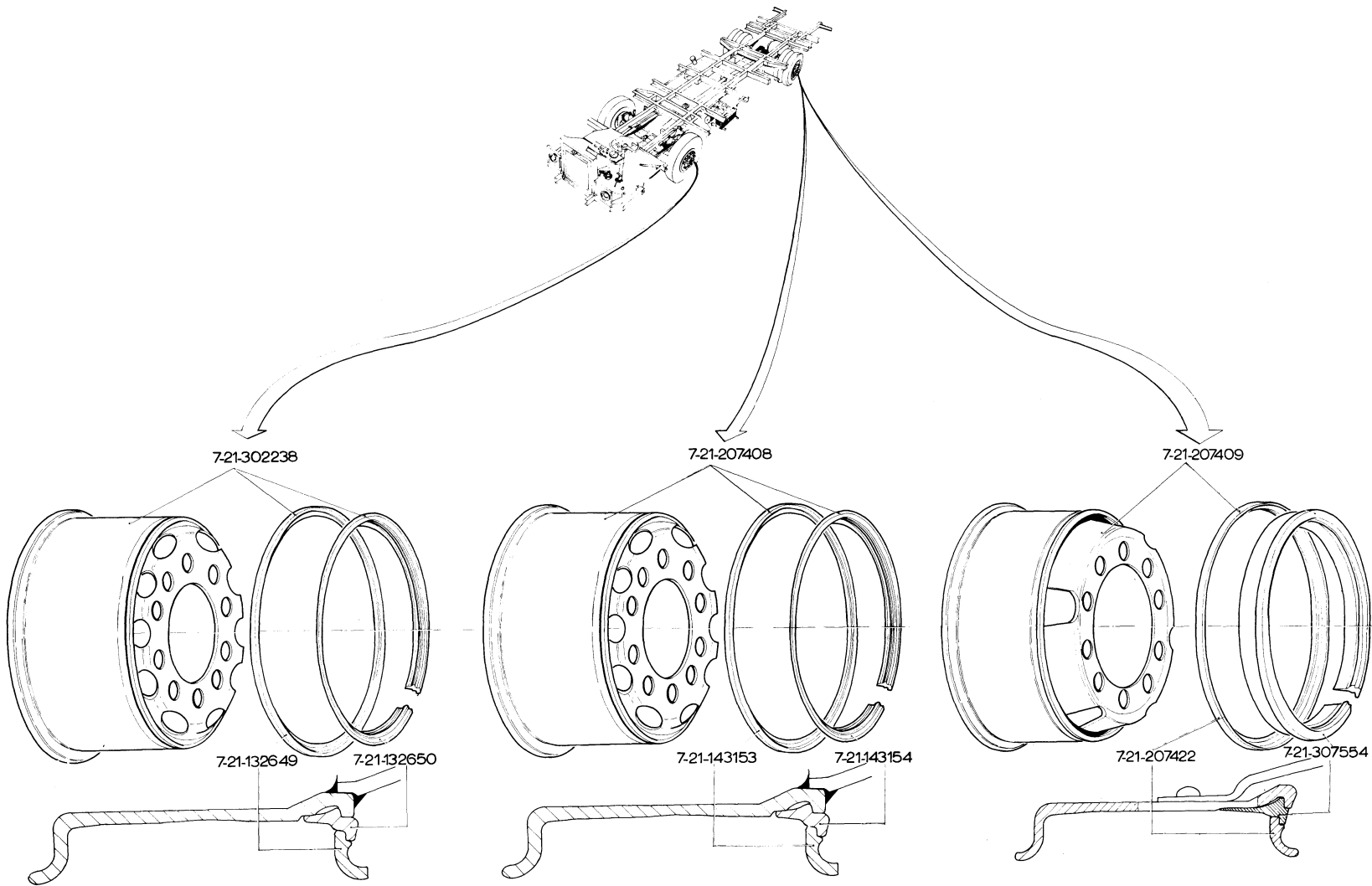
		A	B	C	
5/1	6.5x20	721-202256	721-143153	721-143154	5/1
5/2	7.0x20	721-190402	721-143153	721-143154	5/2
5/3	7.0x20	721-202836 <sup>†</sup>	721-143153	721-143154	5/3 ⇒ 7-21-8/1
5/4	7.5x20	11N75026	721-132649	721-132650	5/4

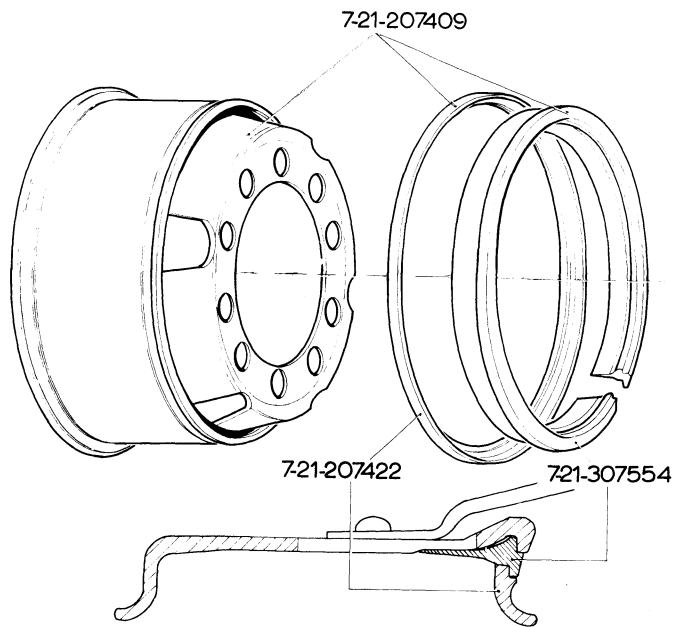
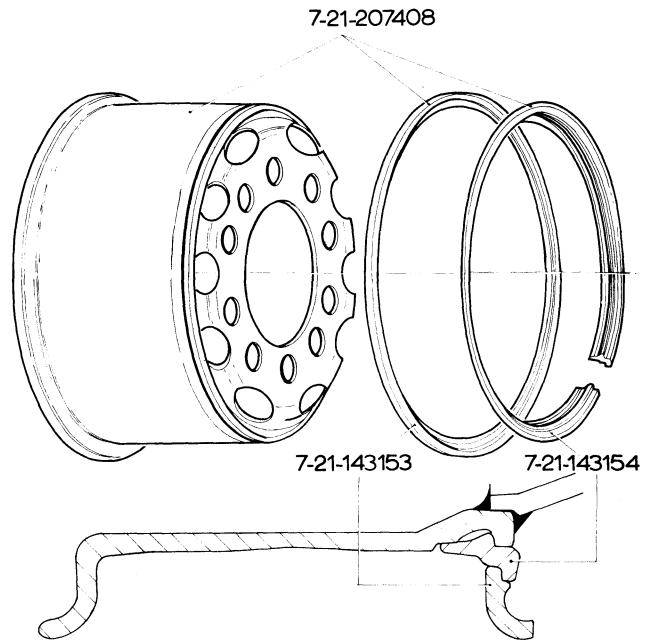


7-21-6

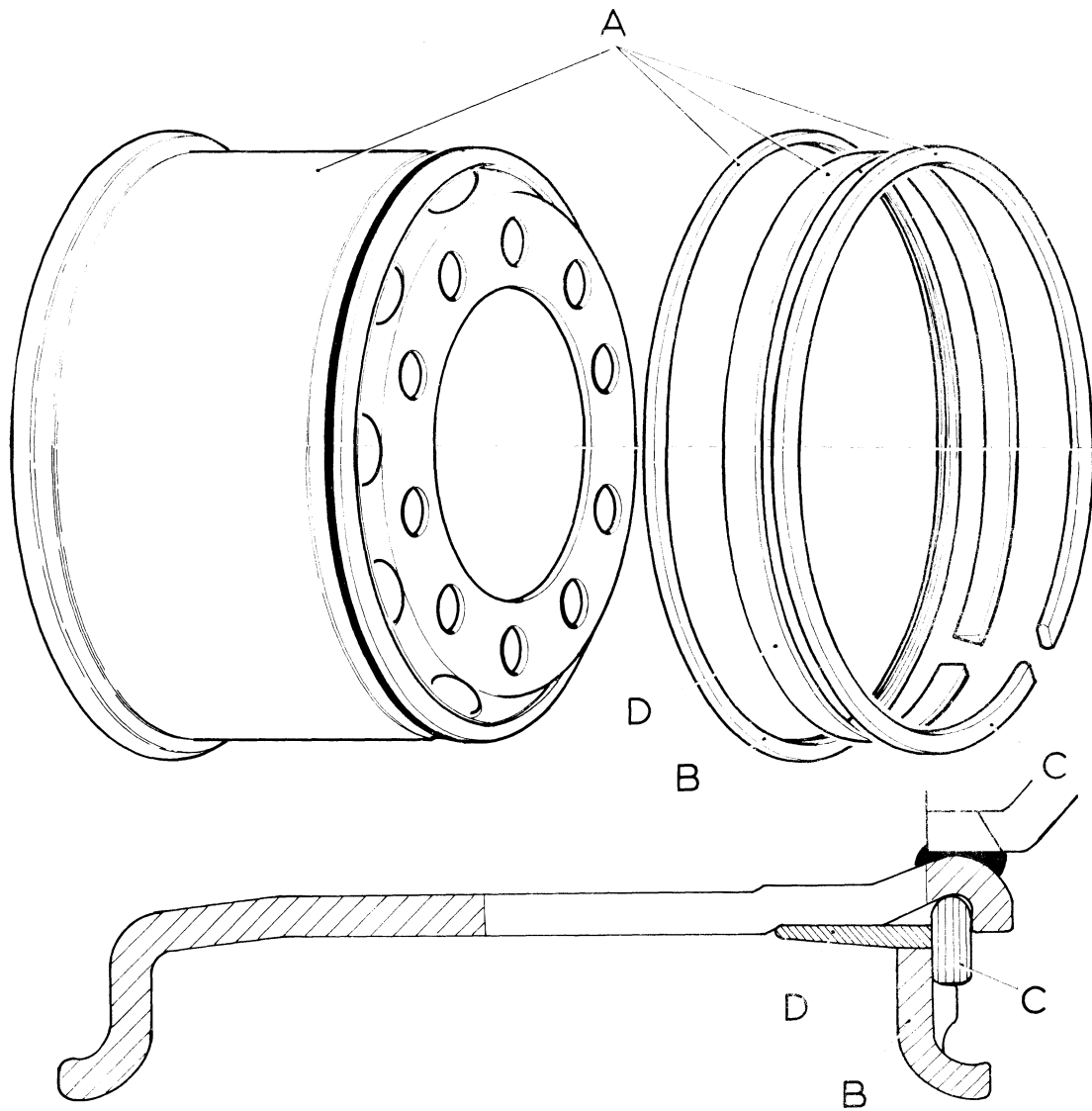


12347/44

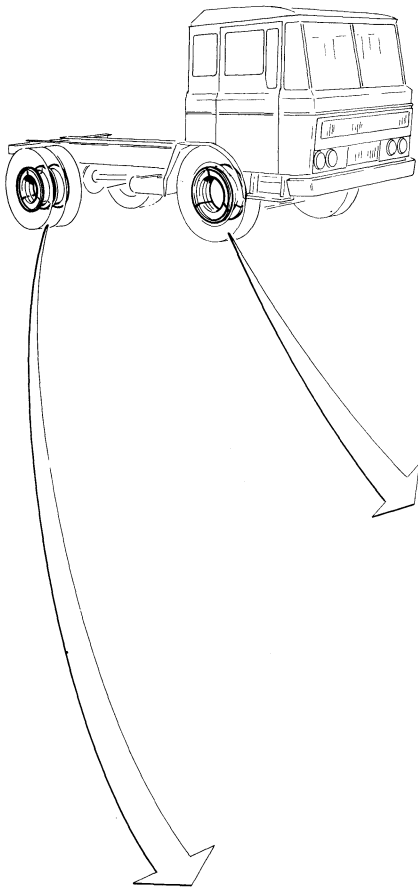




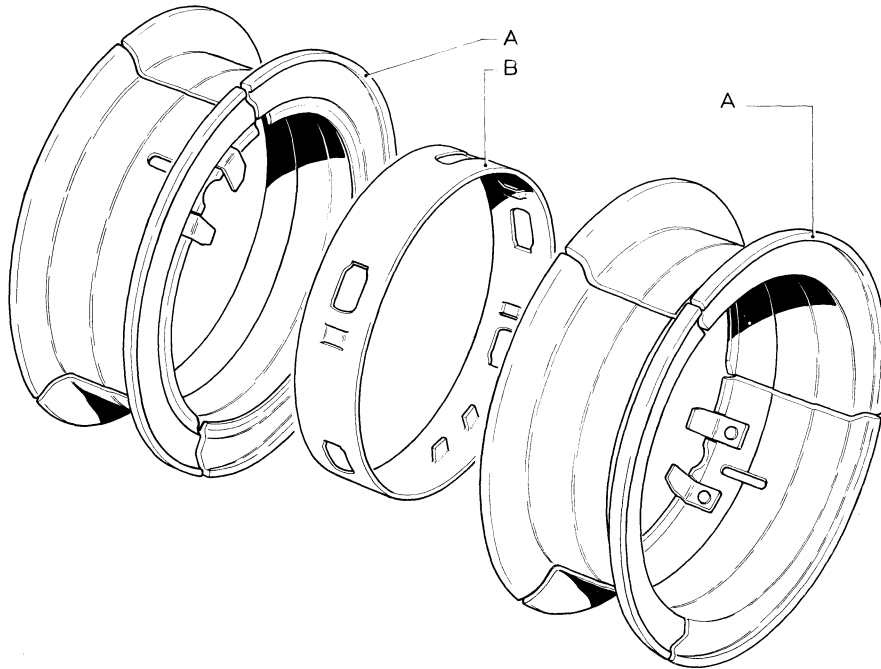
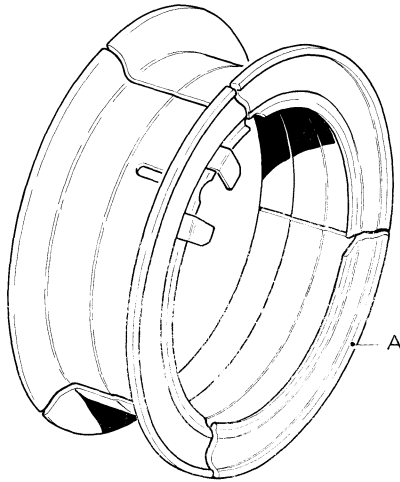




		A	B	C	D	
8/1	7.0x20	7-21-214823	7-21-307562	7-21-307559	7-21-307563	8/1
8/2	8.5x20	7-21-307485	7-21-307567	7-21-307564	7-21-305905	8/2
8/3	8.5x20	7-21-524341	7-21-307567	7-21-307564	7-21-305905	8/3

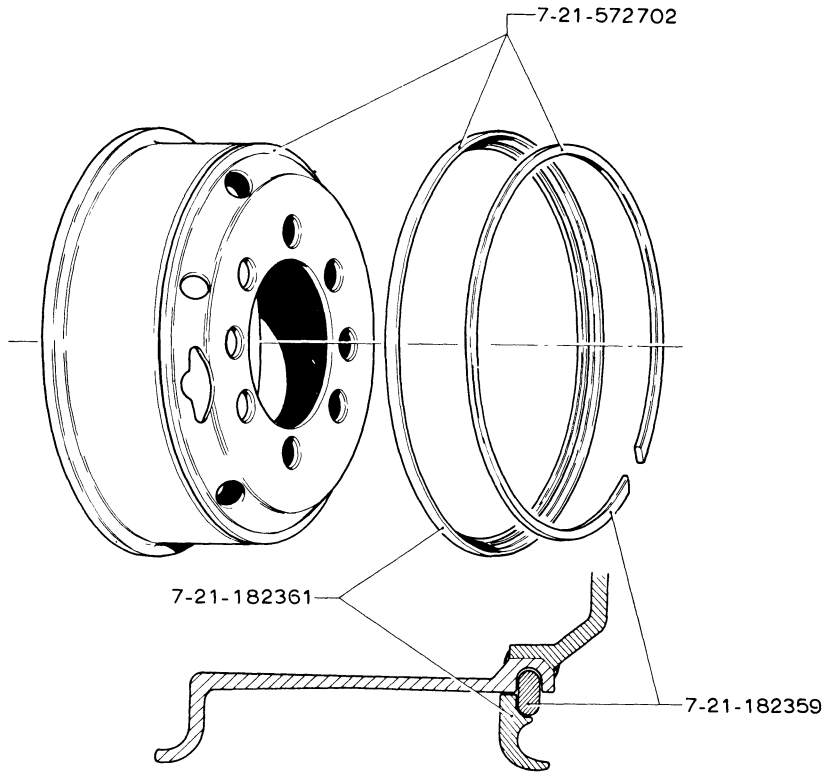


	A		B	b
9 / 1	7-21-213979	7.5 x 20	7-21-213988	114
9 / 2	7-21-572591	8.0 x 20	7-21-572592	124
9 / 3	7-21-533270	8.5 x 20	7-21-544085	130
9 / 4	7-21-530026	8.0 x 22	7-21-530027	139
			7-21-534013	147
9 / 5	7-21-501535	8.5 x 24	7-21-501545	156



7-21-9





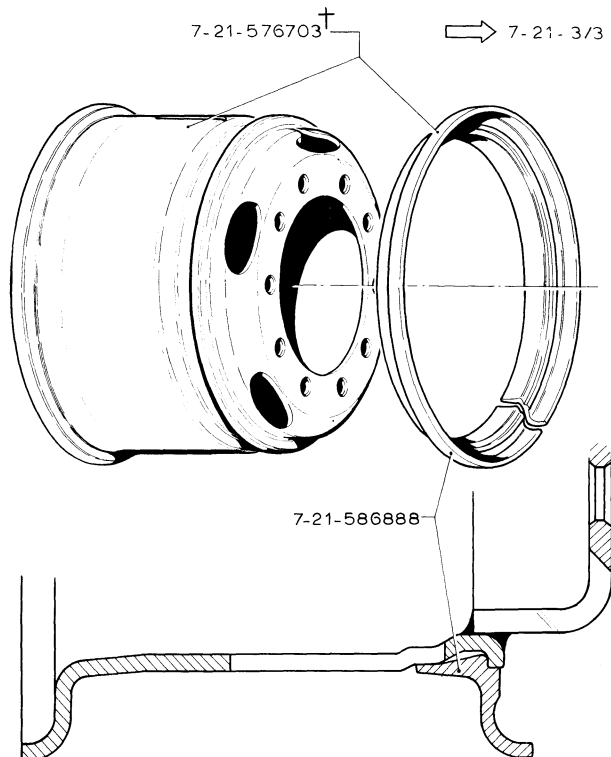
Printed in Holland



7-21-10



0767



Printed in Holland

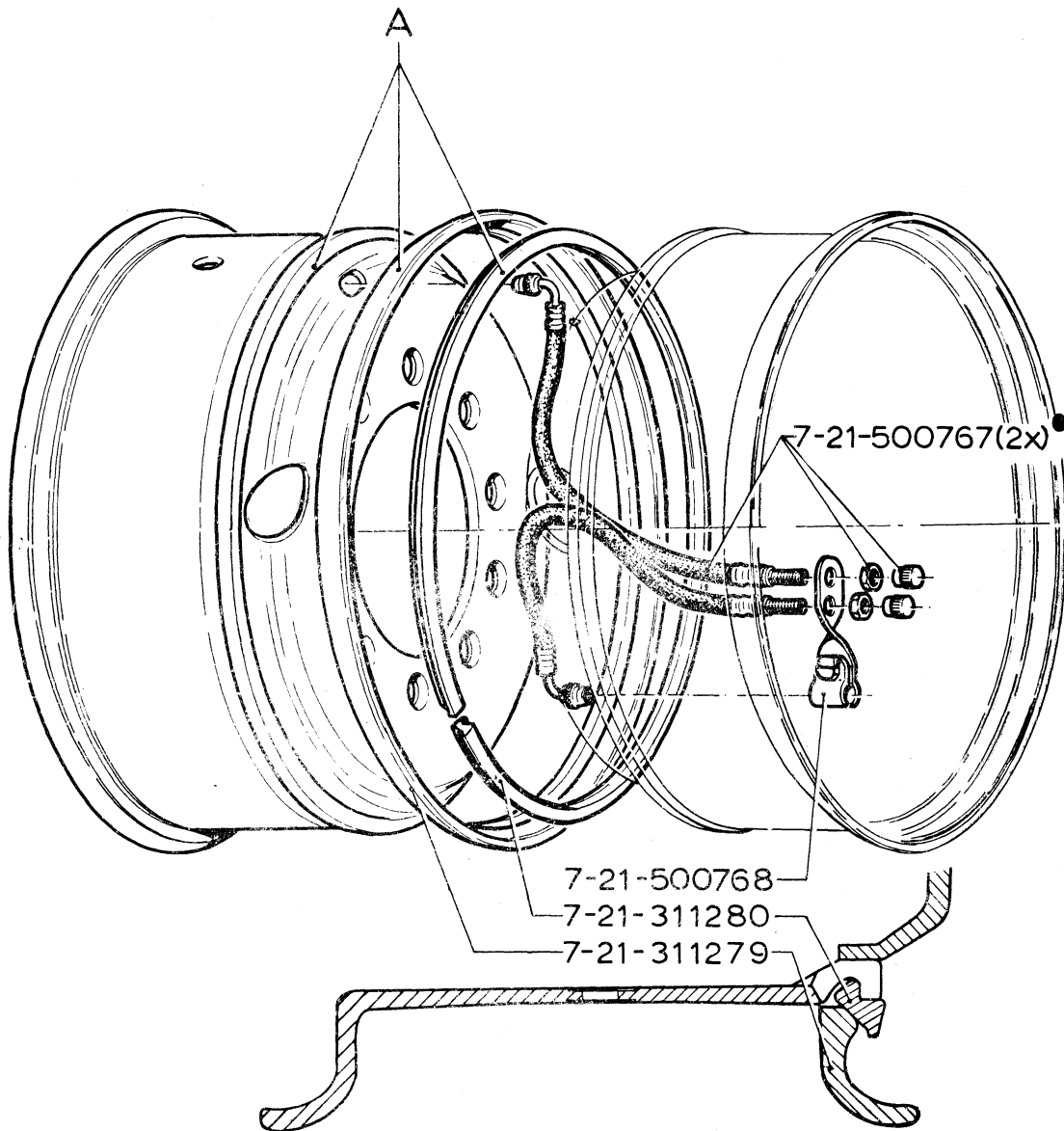


7-21-11

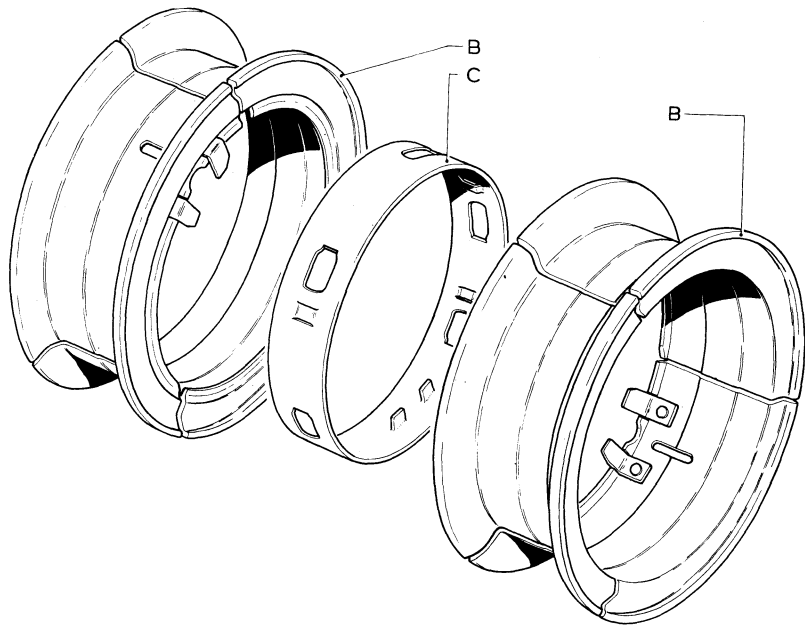
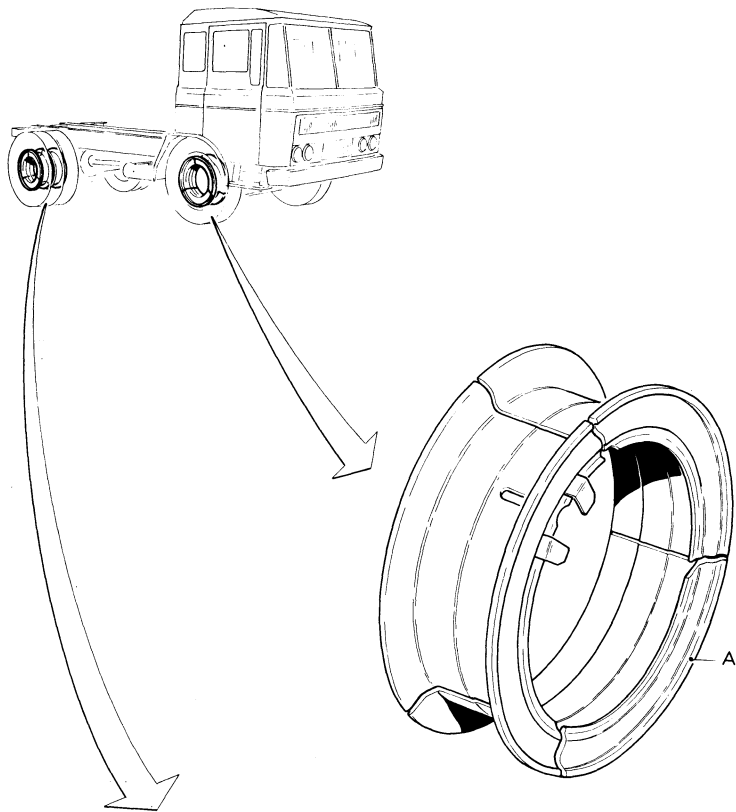


*N.260 T150*

1267



A		
12/1	7-21-580690	tubeless
12/2	7-21-532463	—



	A		B		C
13/1	7-21-213979	7.5x20	7-21-572591	8.0x20	7-21-534265
13/2	7-21-213980	7.0x20	7-21-213979	7.5x20	7-21-534012
13/3	7-21-530026	8.0x22	7-21-530026	8.0x22	7-21-534013

Nr 16 T/35

