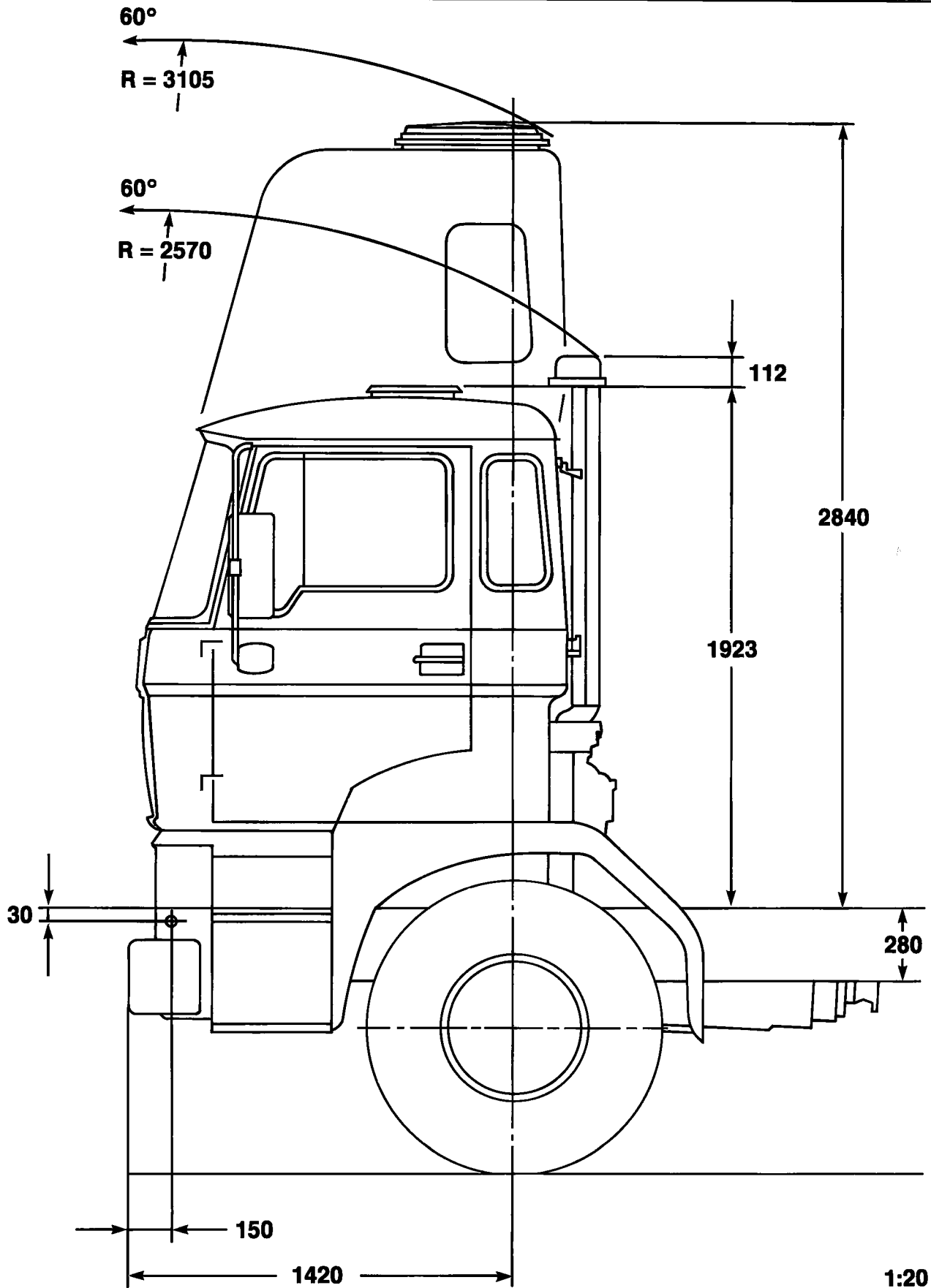


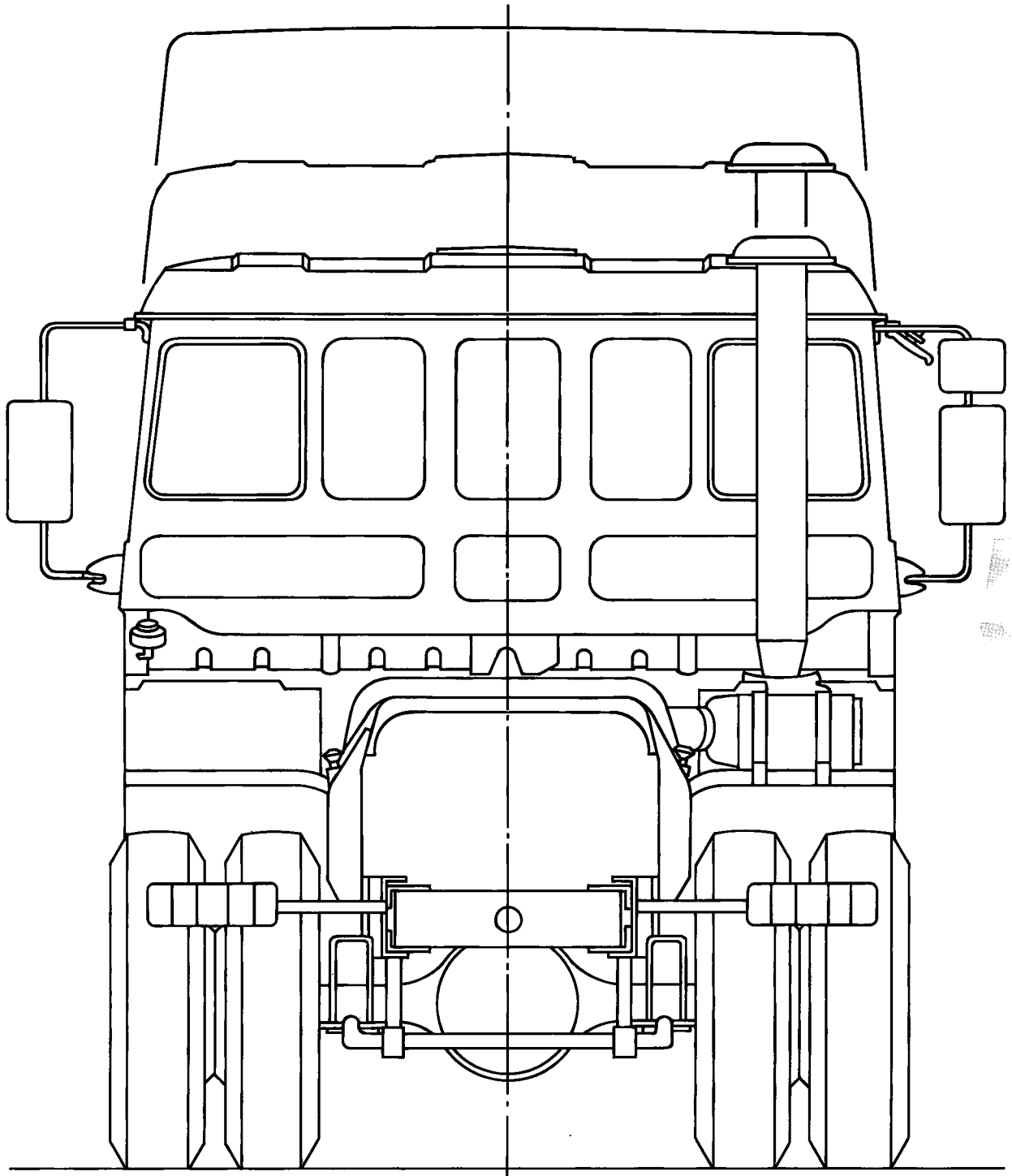
2800-3600



---

2800-3600

---

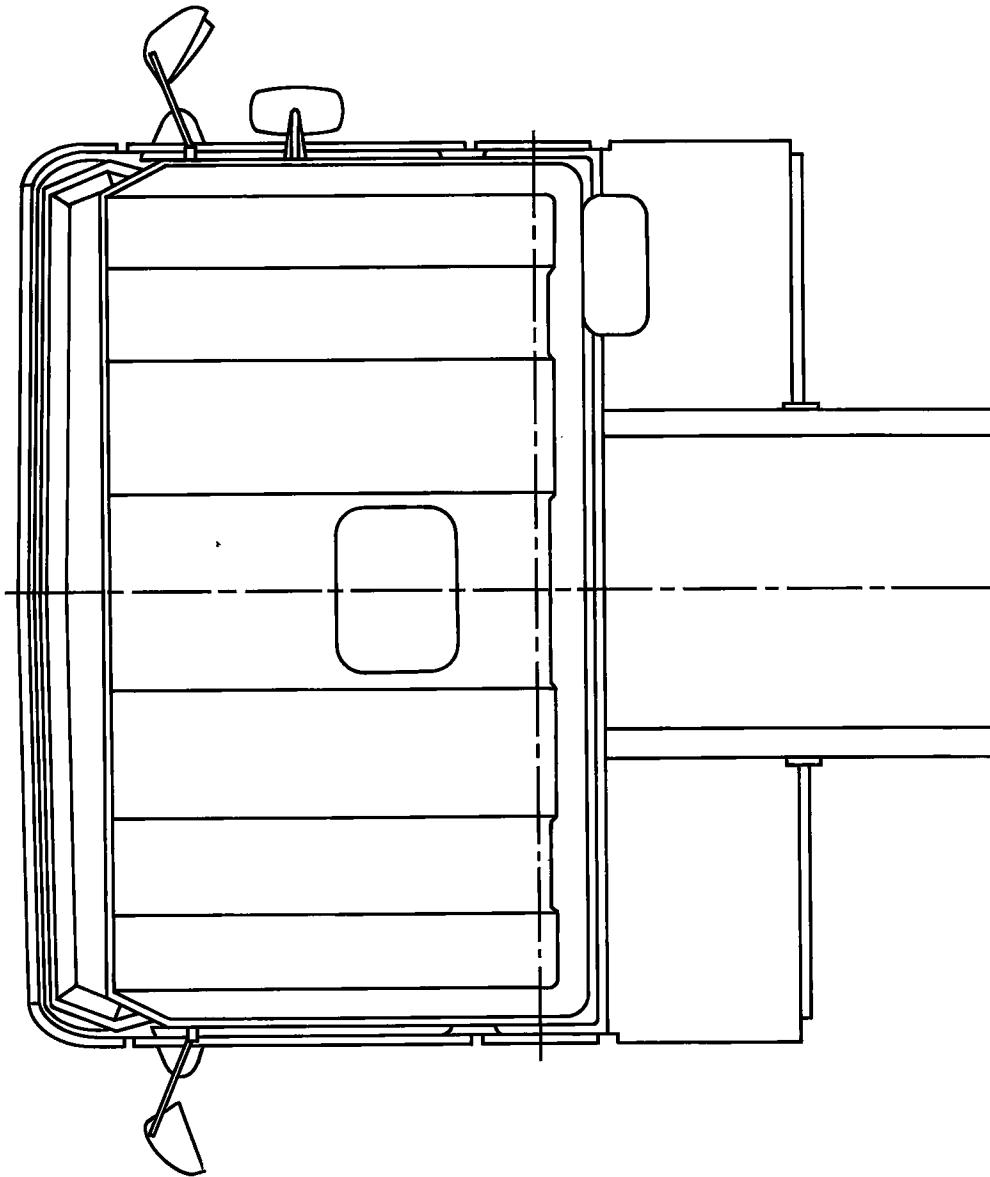


1:20

---

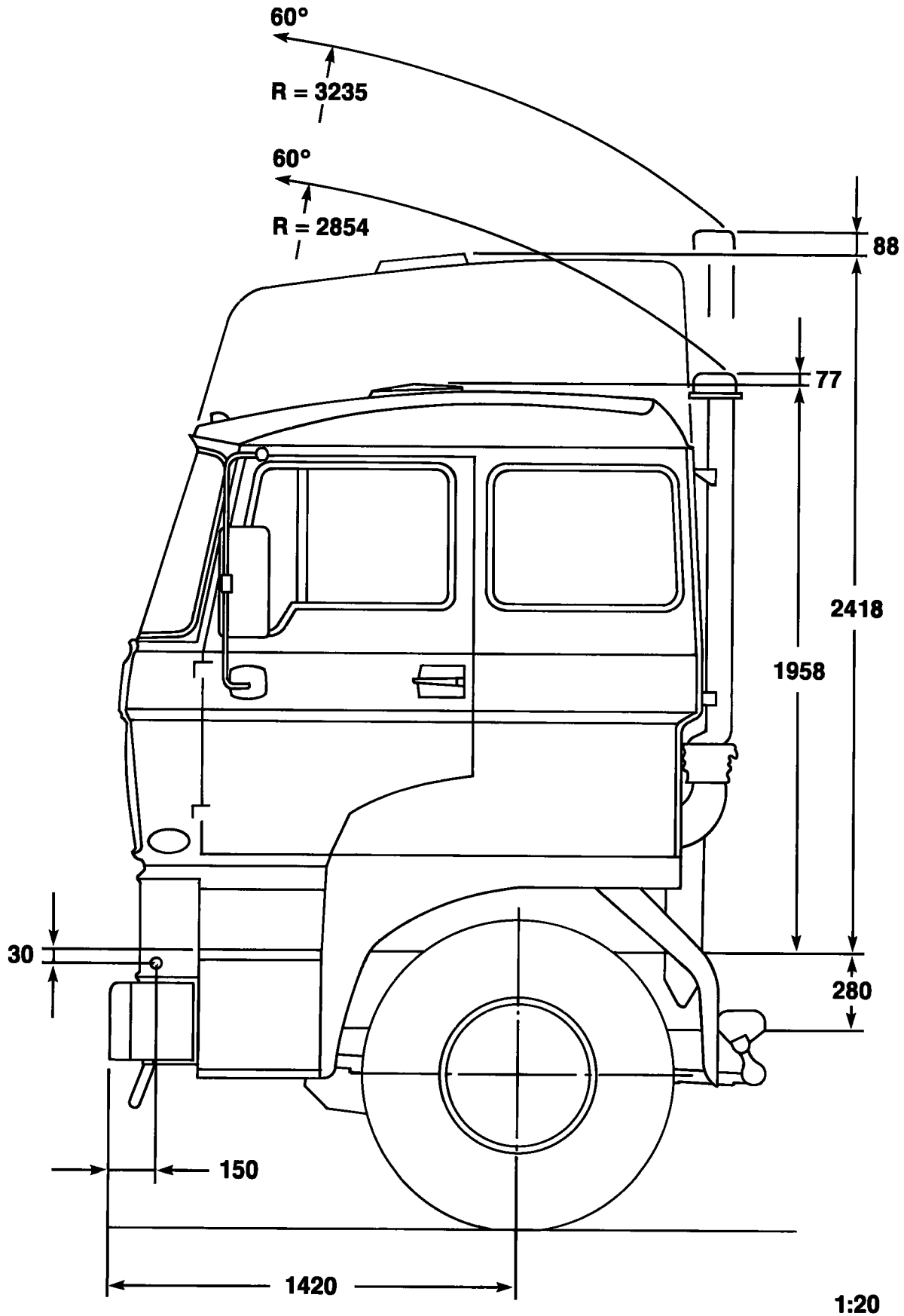
2800-3600

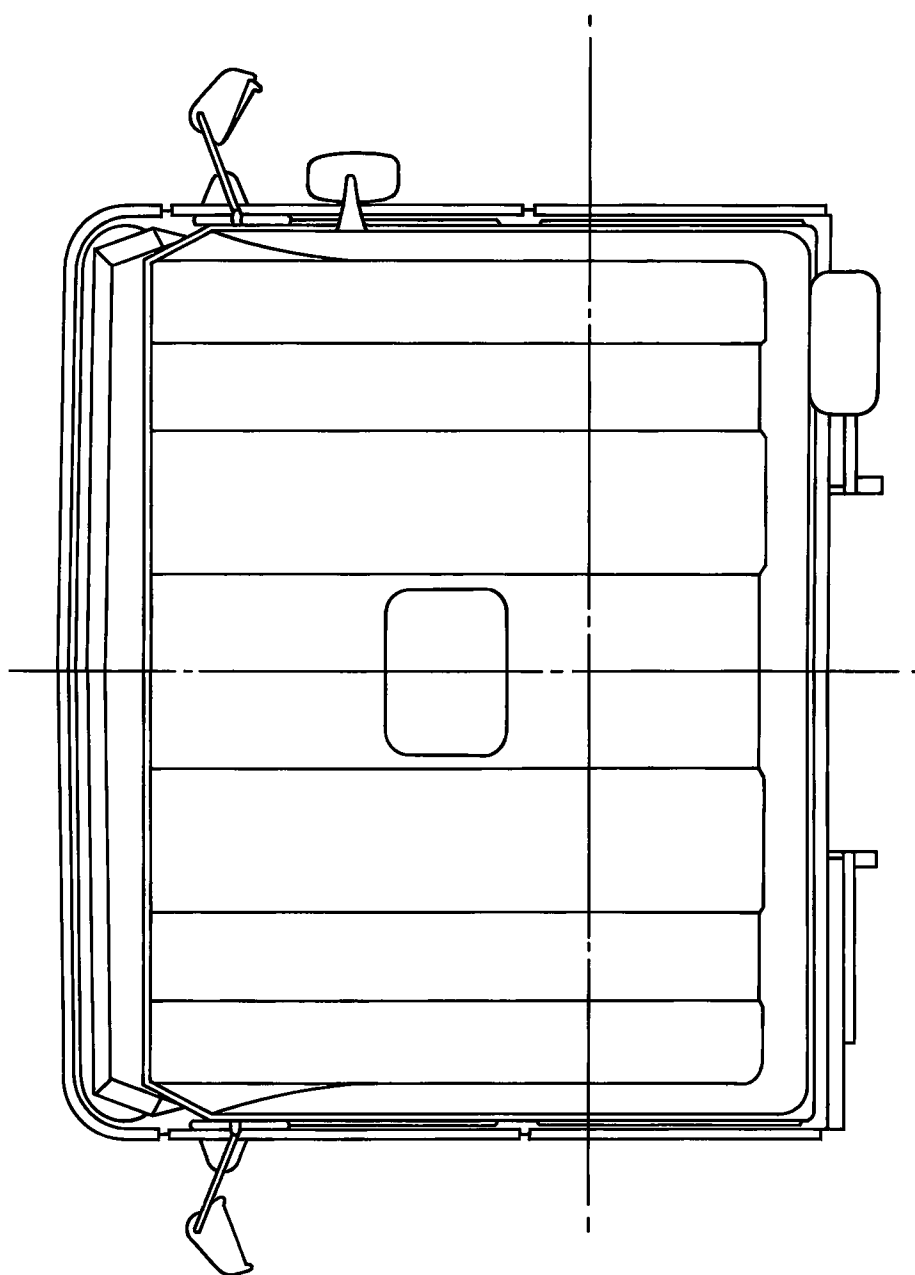
---



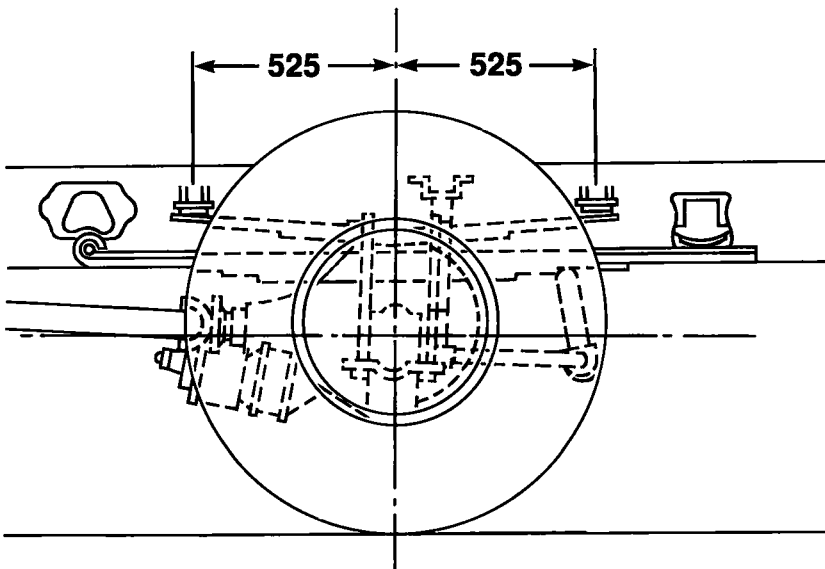
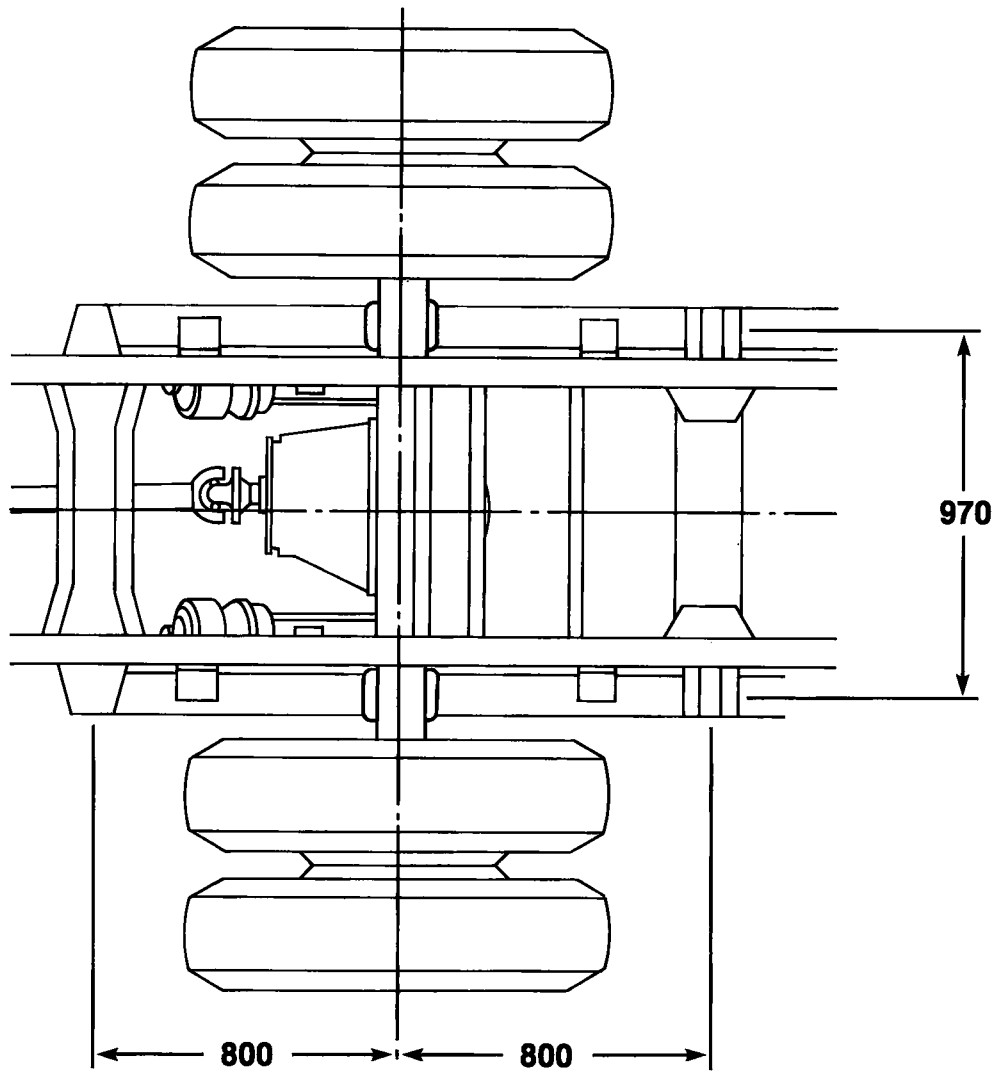
Handwritten notes or markings, possibly including the number '15'.

1:20

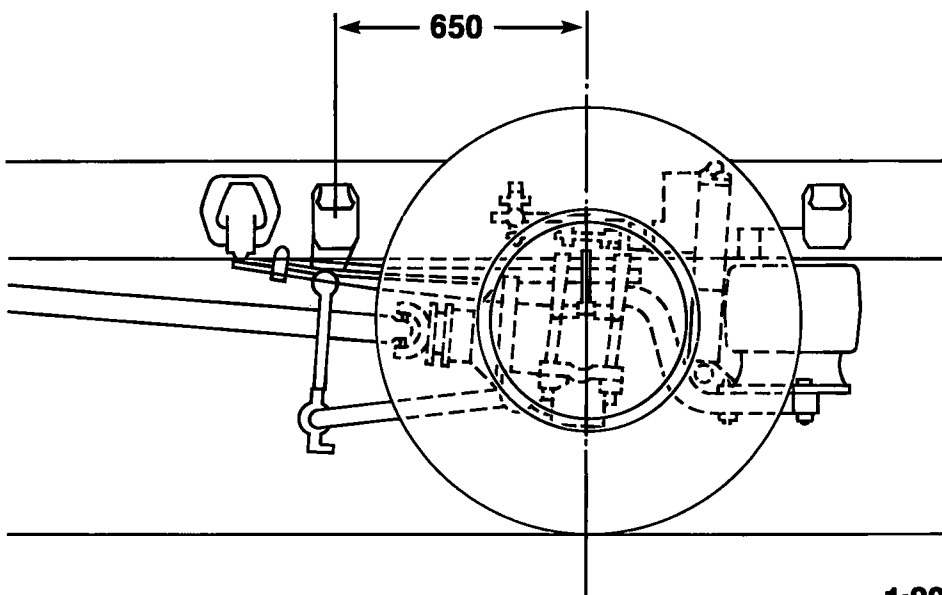
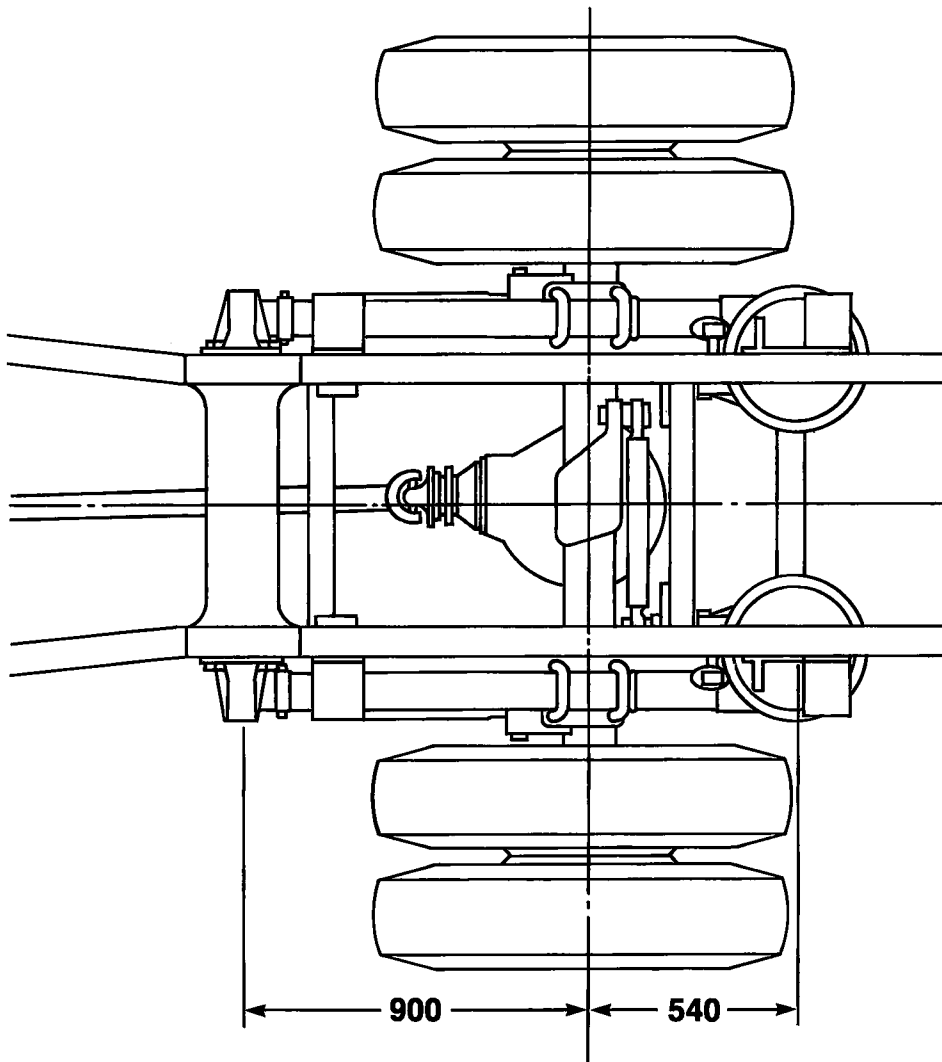




1:20



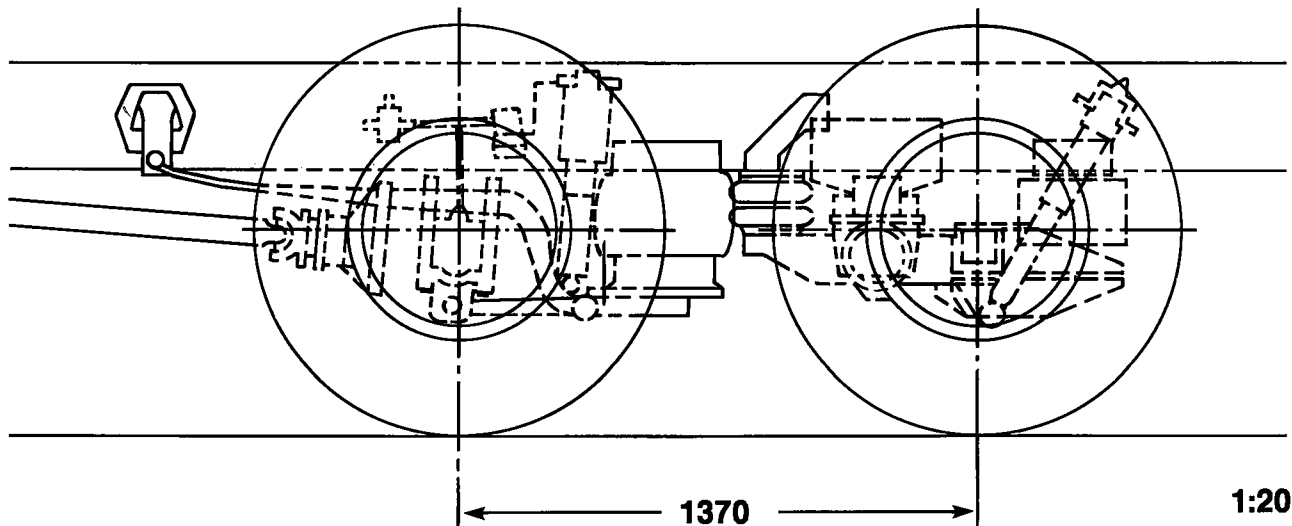
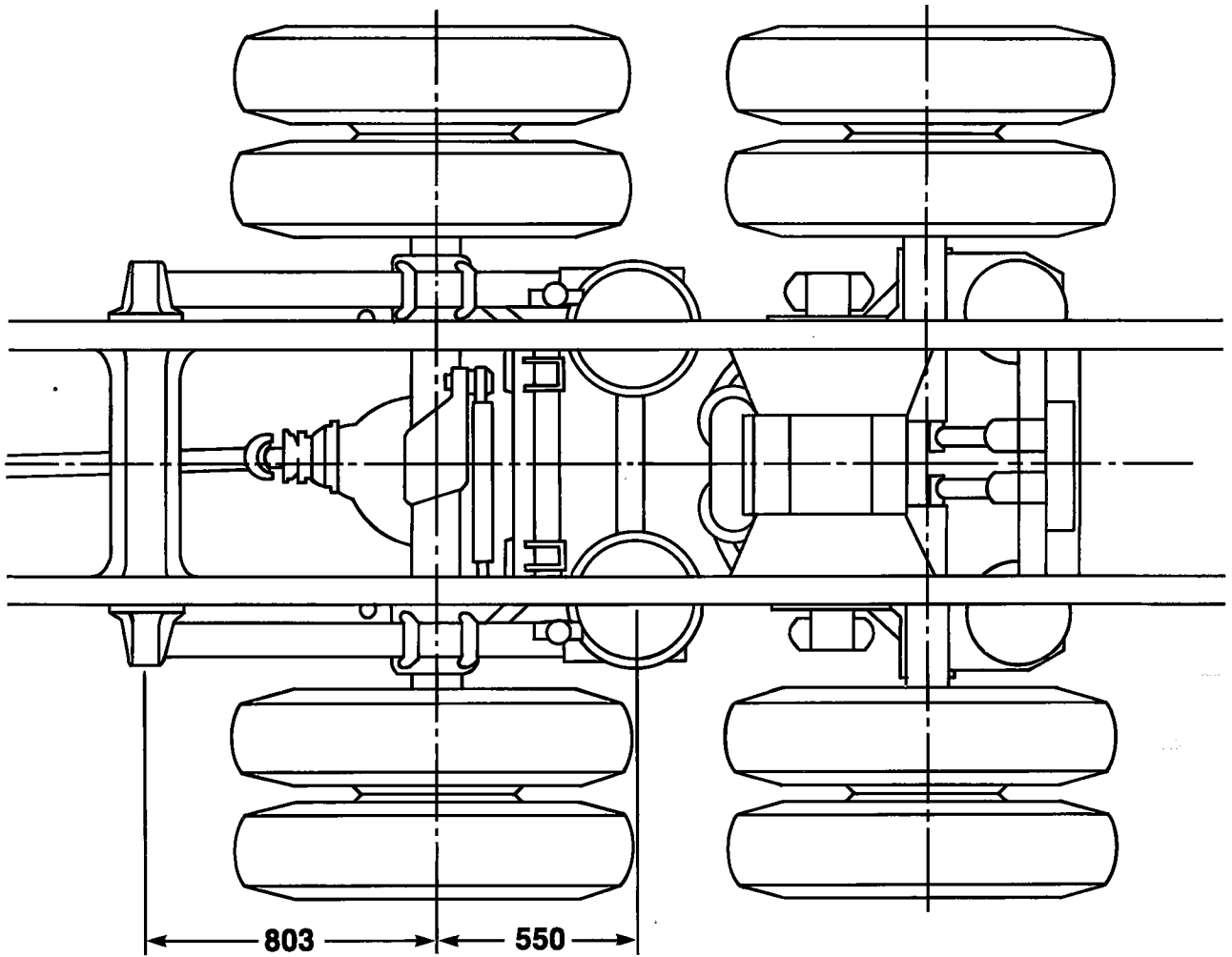
1:20



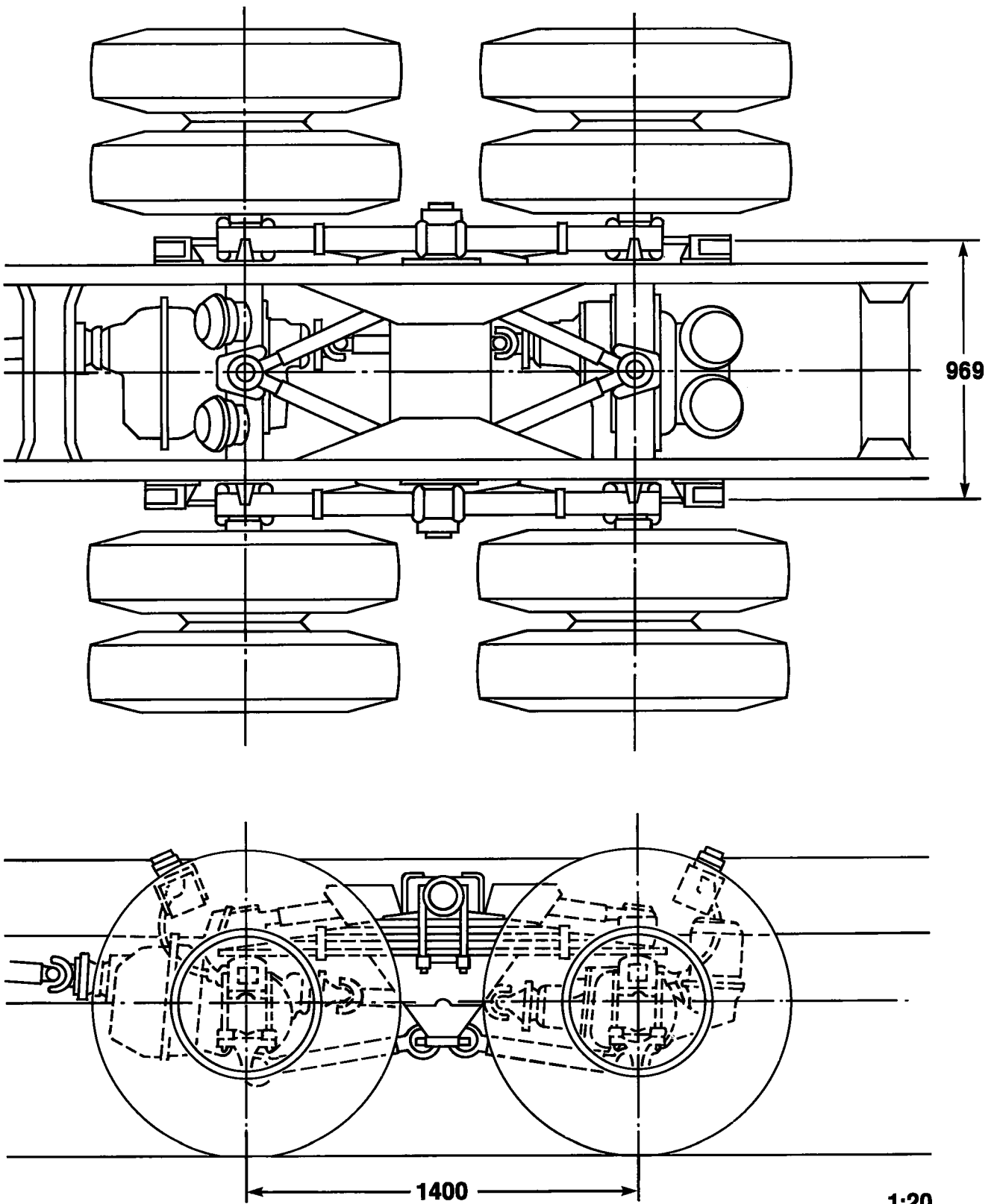
1:20



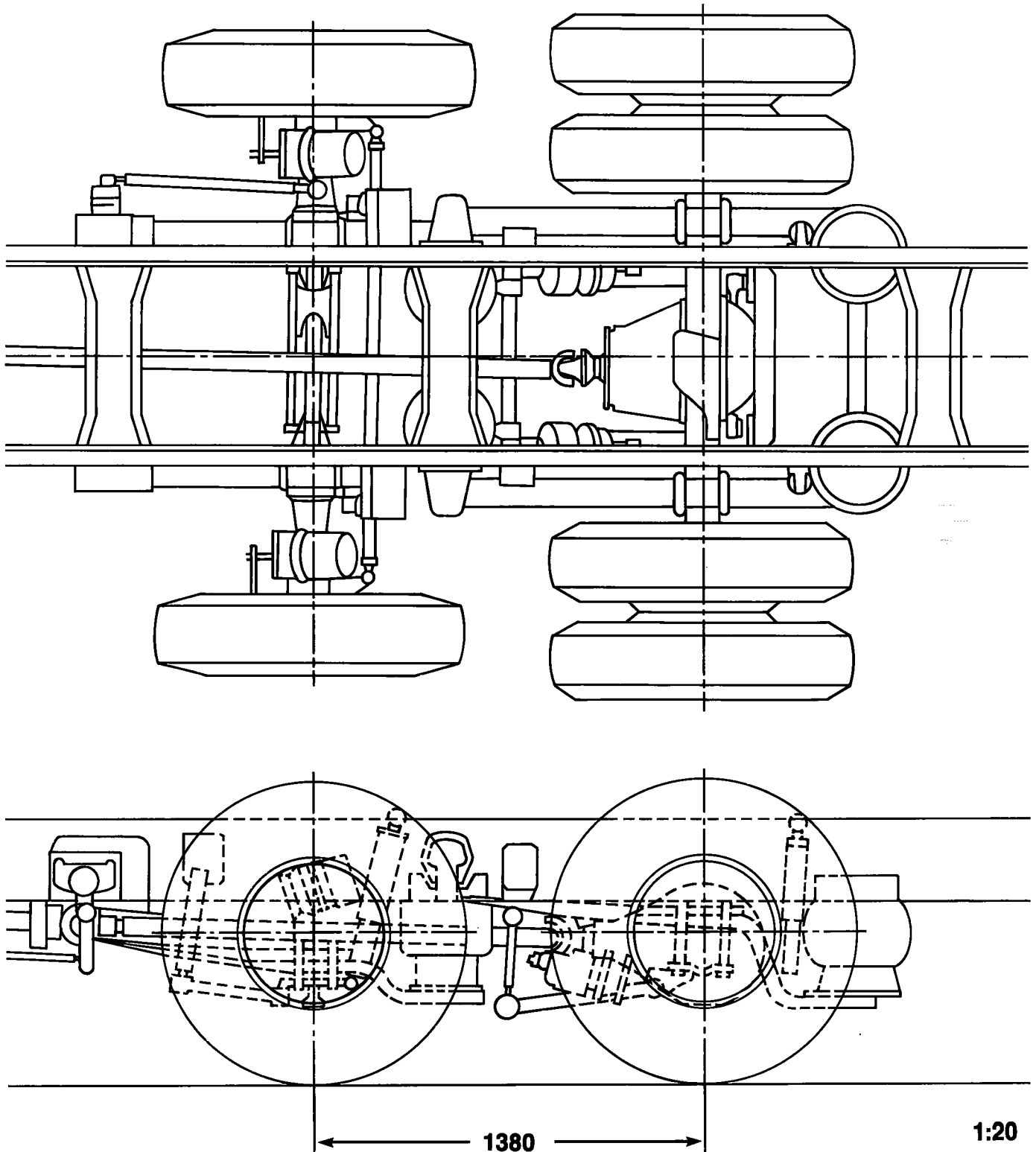
FAS/FAR 2800-3600



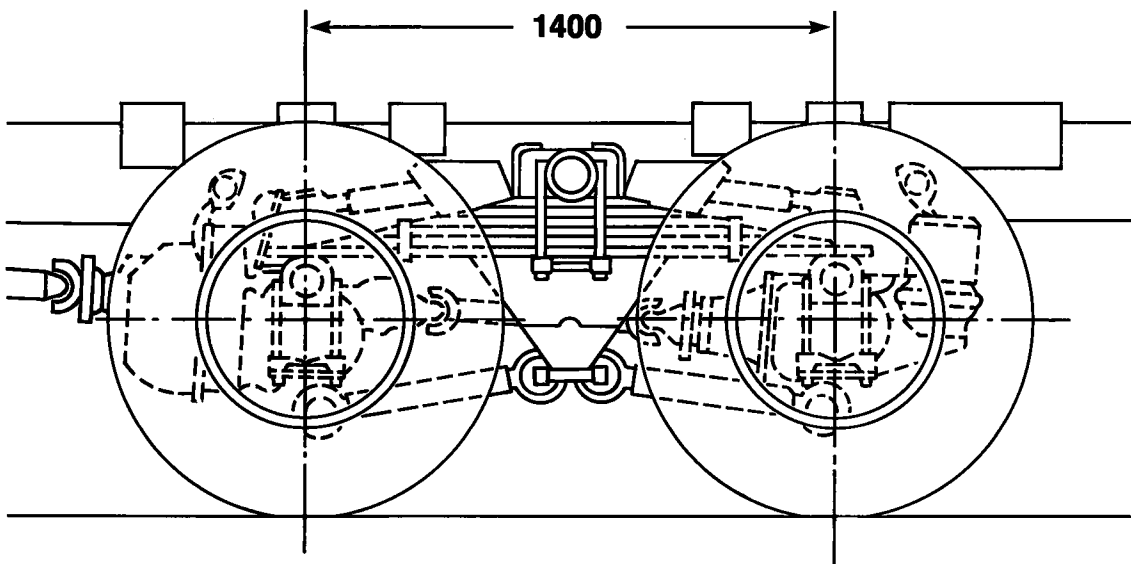
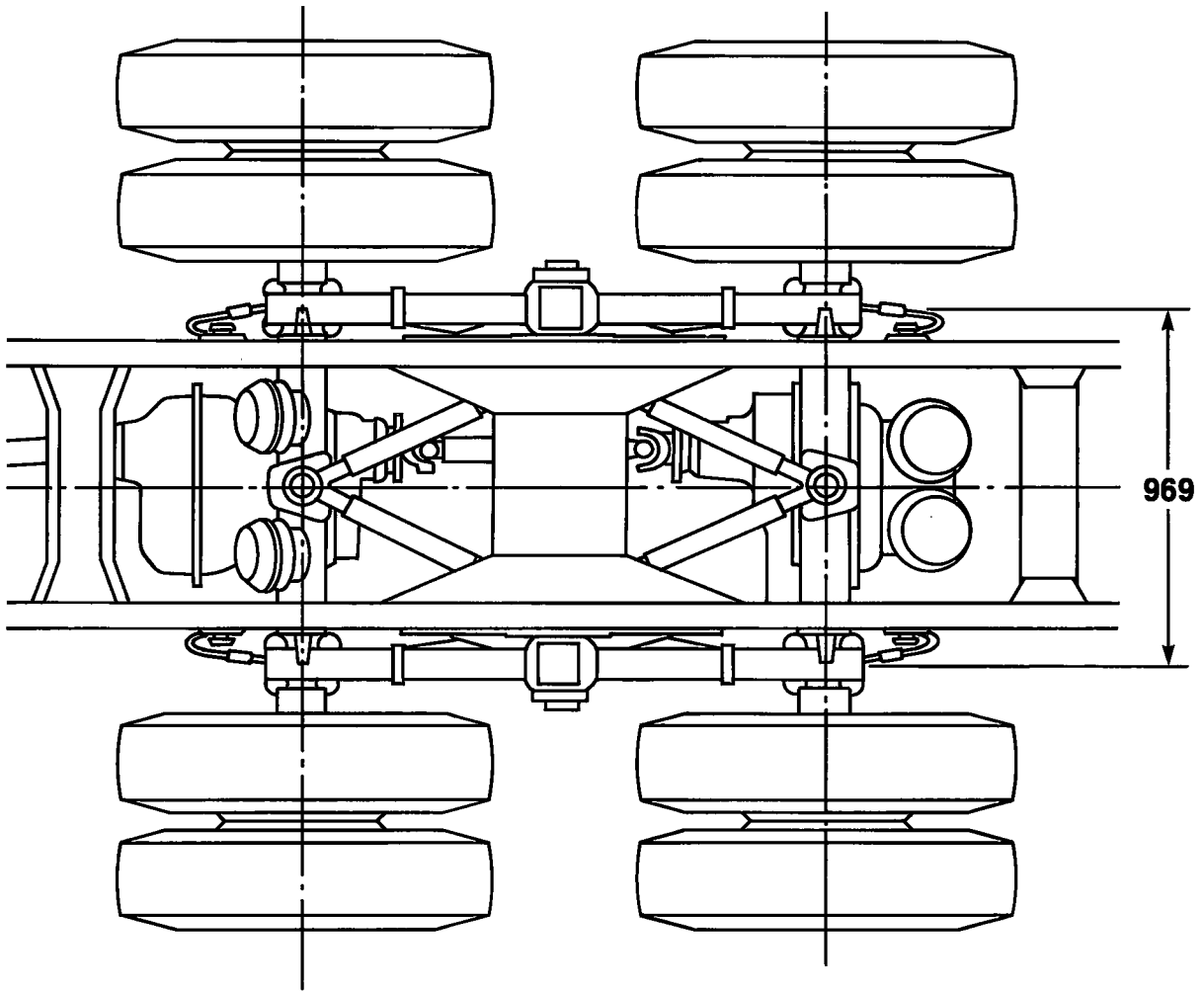
FAT 2800-3600



FAG 2800-3600



FAD 2800-3600



1:20