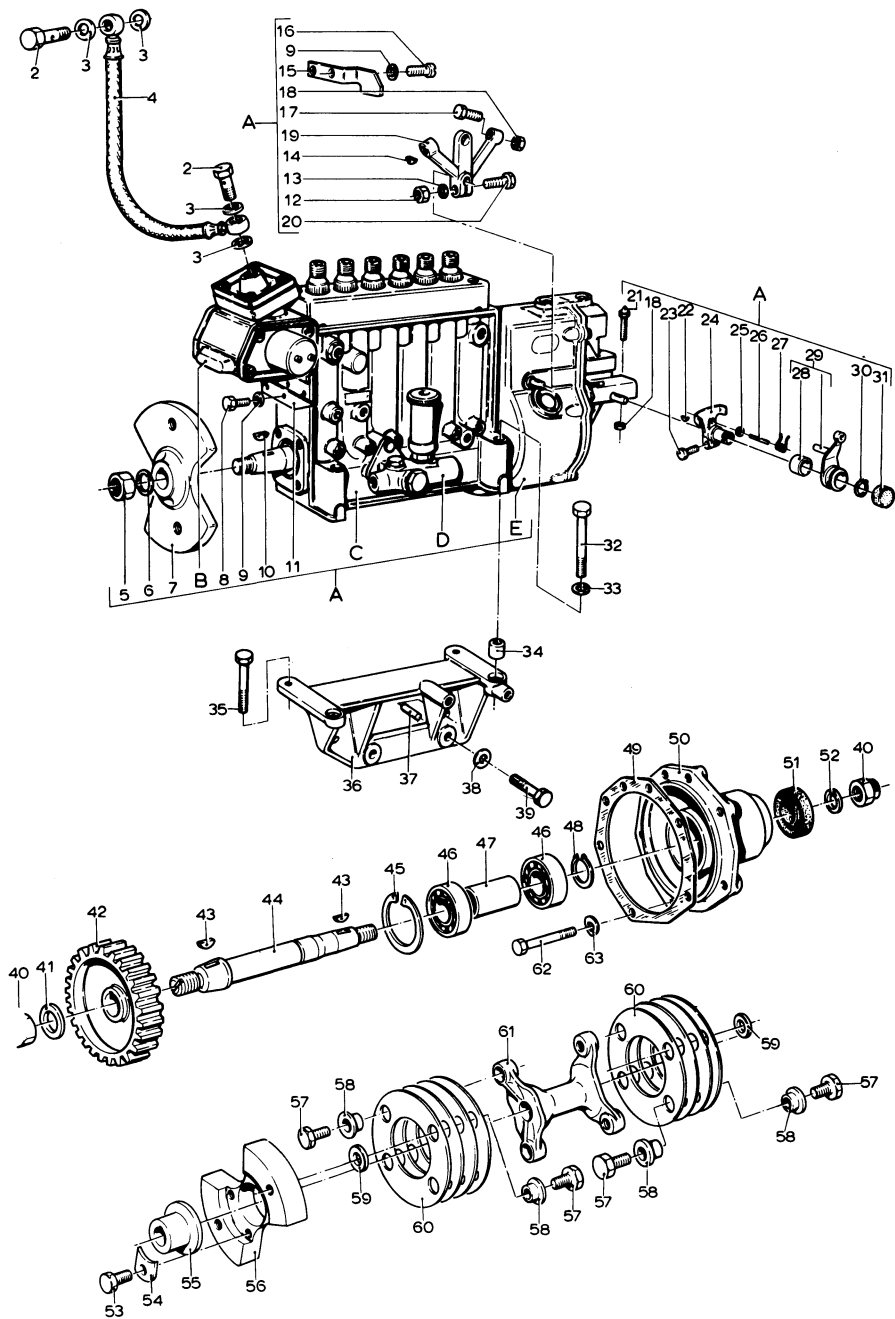
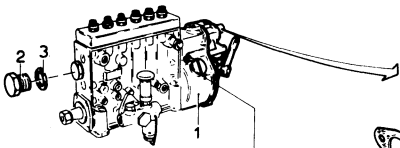
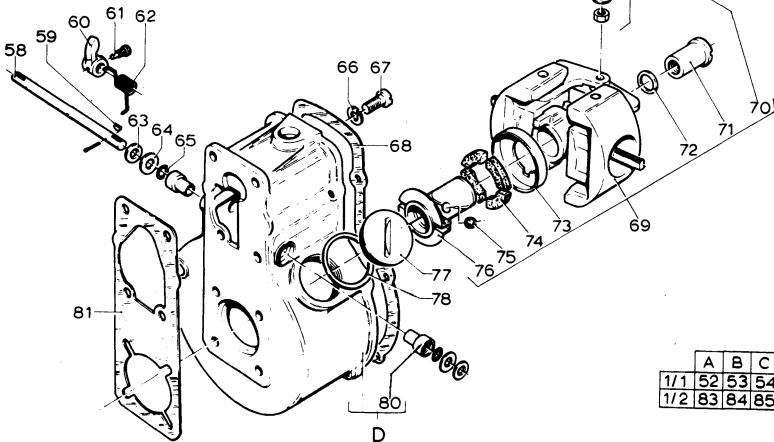
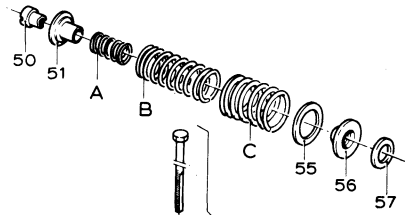
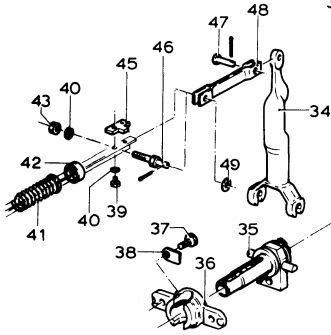
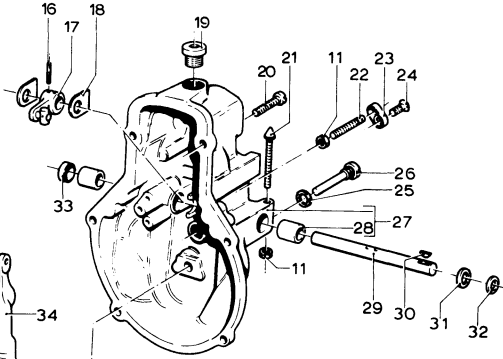
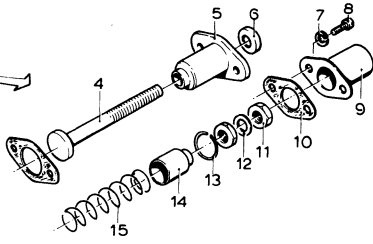


	A	B	C	D	E	F	G	H	J	K	
2/1	59	20	10	70	6	8	38	39	51	55	PE 6P 90A 320RS 142
2/2	59	20	77	4	75	76	78	79	80	81	PE 6P 90A 320RS 239
2/3	67	68	69	70	75	8	38	79	51	55	PE 6P100A 320RS 304
2/4	67	74	69	70	75	8	38	79	51	55	PE 6P100A 320RS 384
2/5	67	74	69	70	75	8	38	79	51	55	PE 6P100A 320RS 384 Z

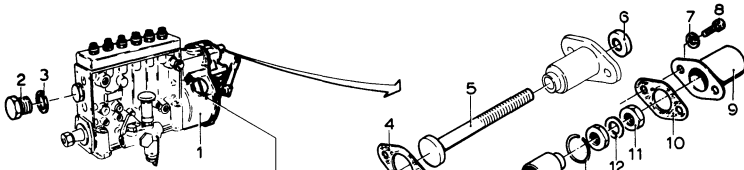




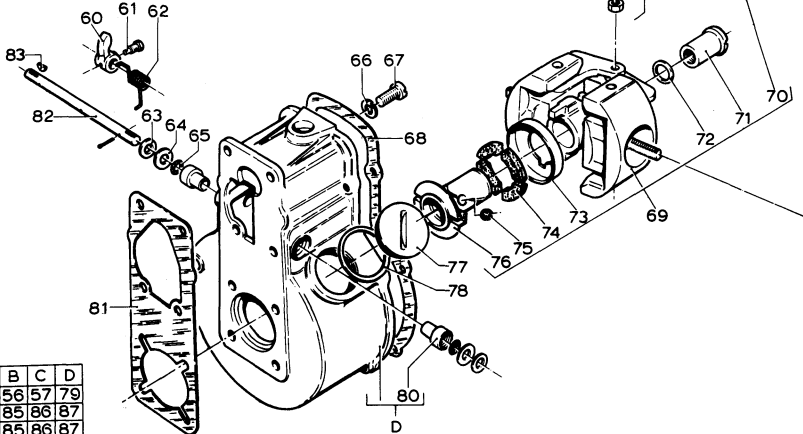
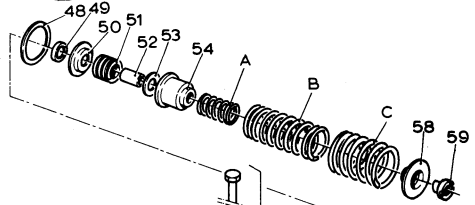
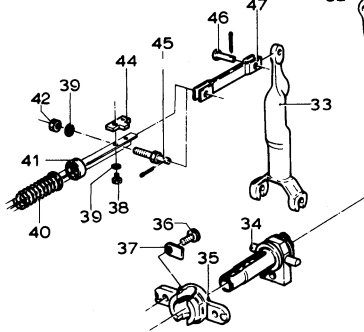
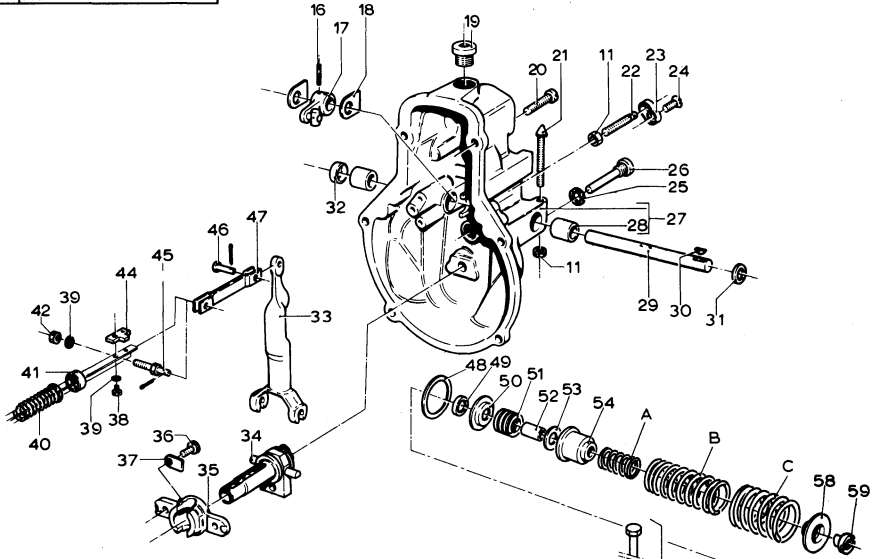
1/1	RQ 200/1000 PA98/1R
1/2	RQ 225/1000 PA98/1R



	A	B	C	D
1/1	52	53	54	82
1/2	83	84	85	79

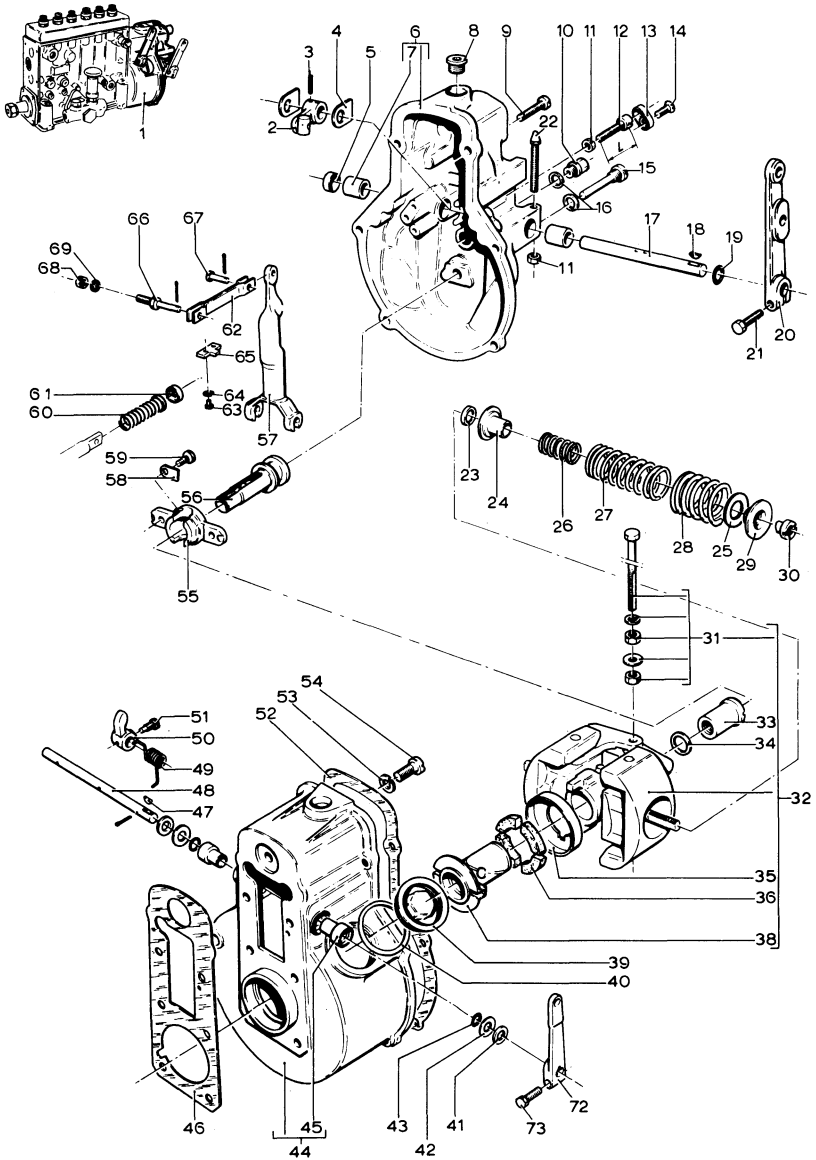


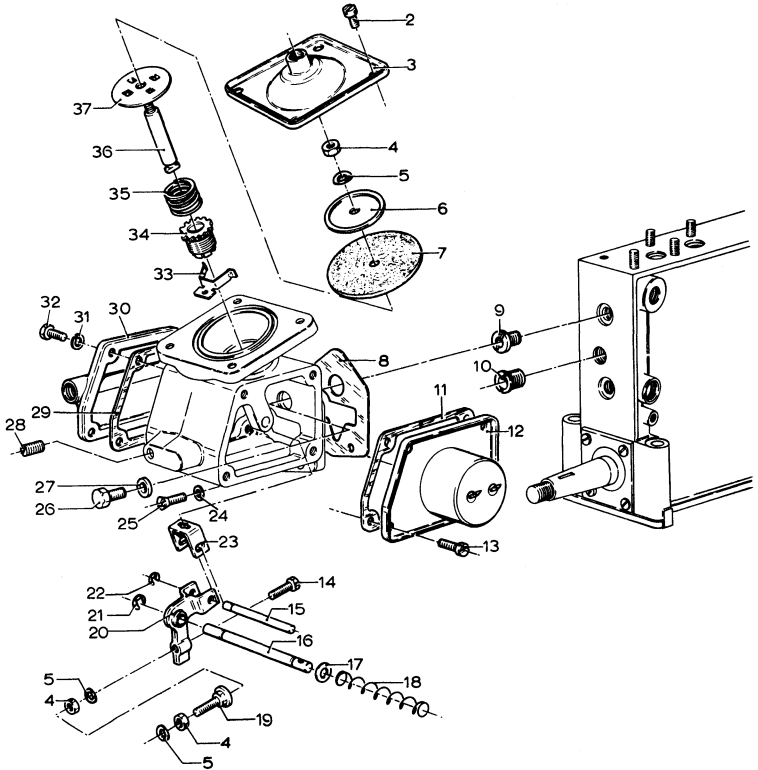
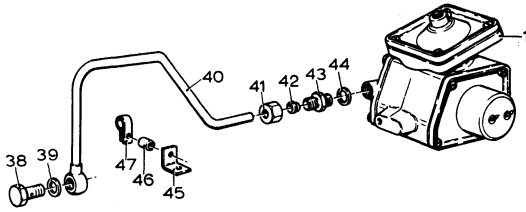
2/1	RQ 225 /1100 PA284/1DR
2/2	RQ 225 /1000 PA442 R
2/3	RQ 250/1000 PA442 R
2/4	RQ 225/1100 PA450/2DR

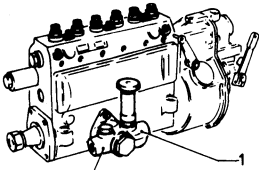


	A	B	C	D
2/1	55	56	57	79
2/2	84	85	86	87
2/3	84	85	86	87
2/4	55	56	86	87

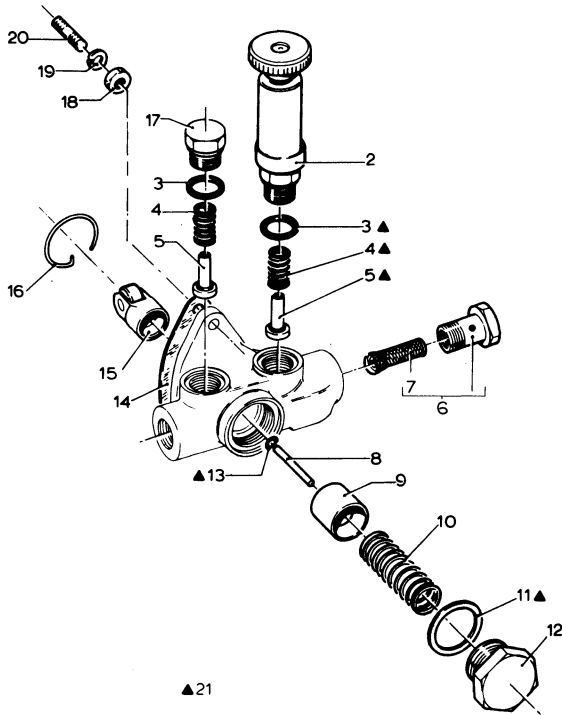
3/1	RQ 300/1100 PA 428/2R
3/2	RQ 250/1100 PA 428/2R

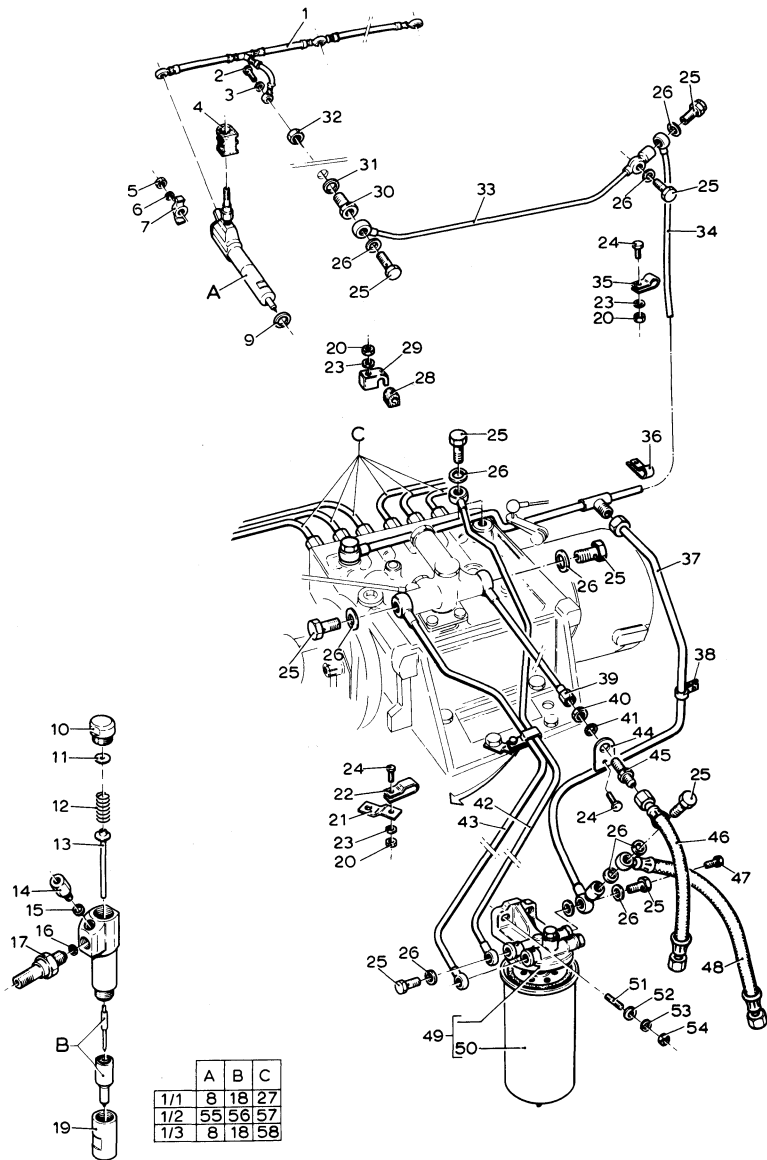






FP/K22P31





DKTL

