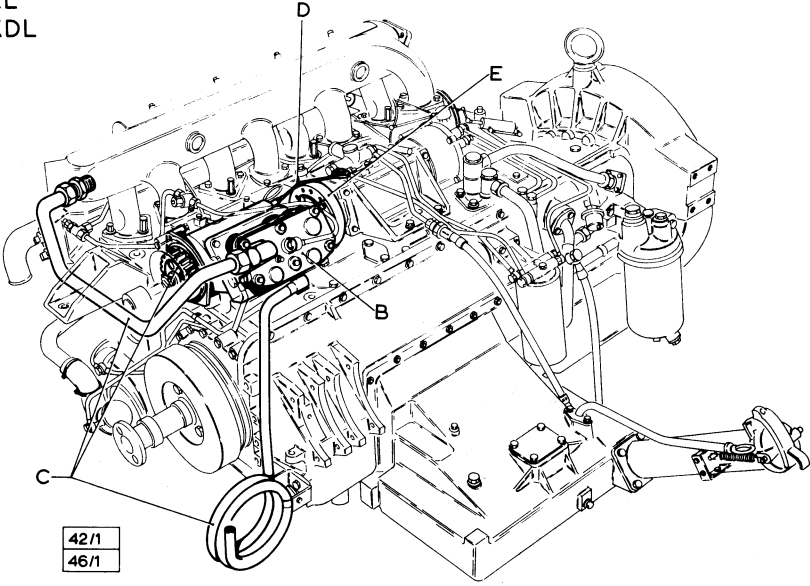
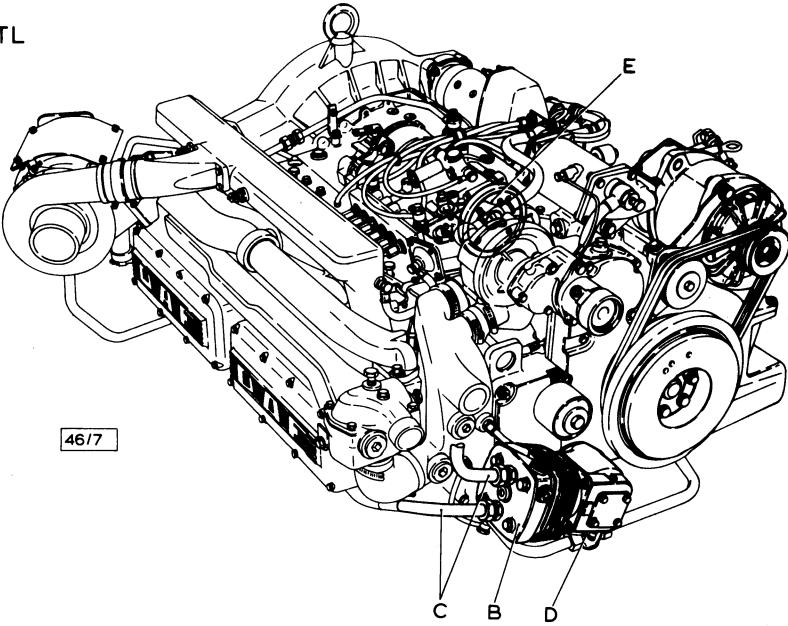
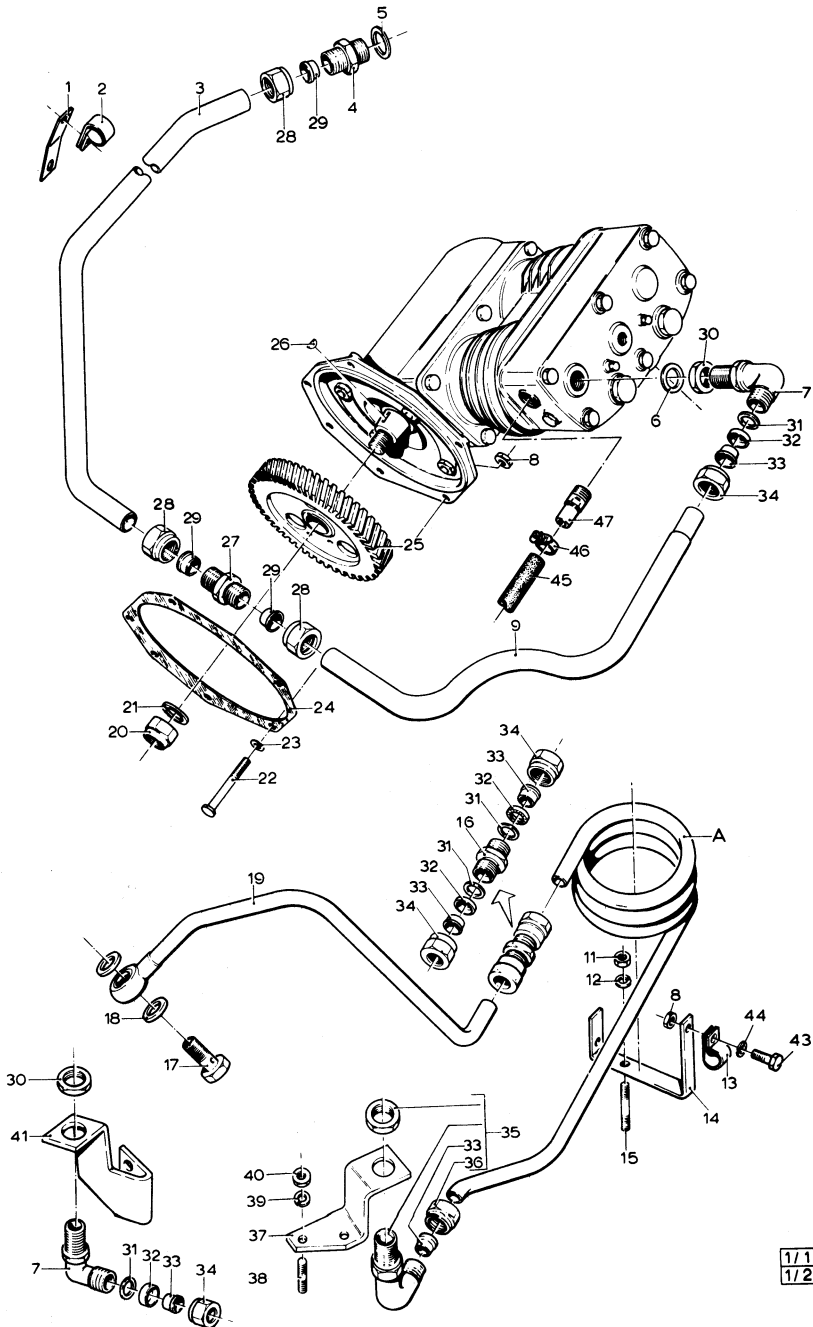


DKL
DKDL



DKTL





	A
1/1	10
1/2	42

