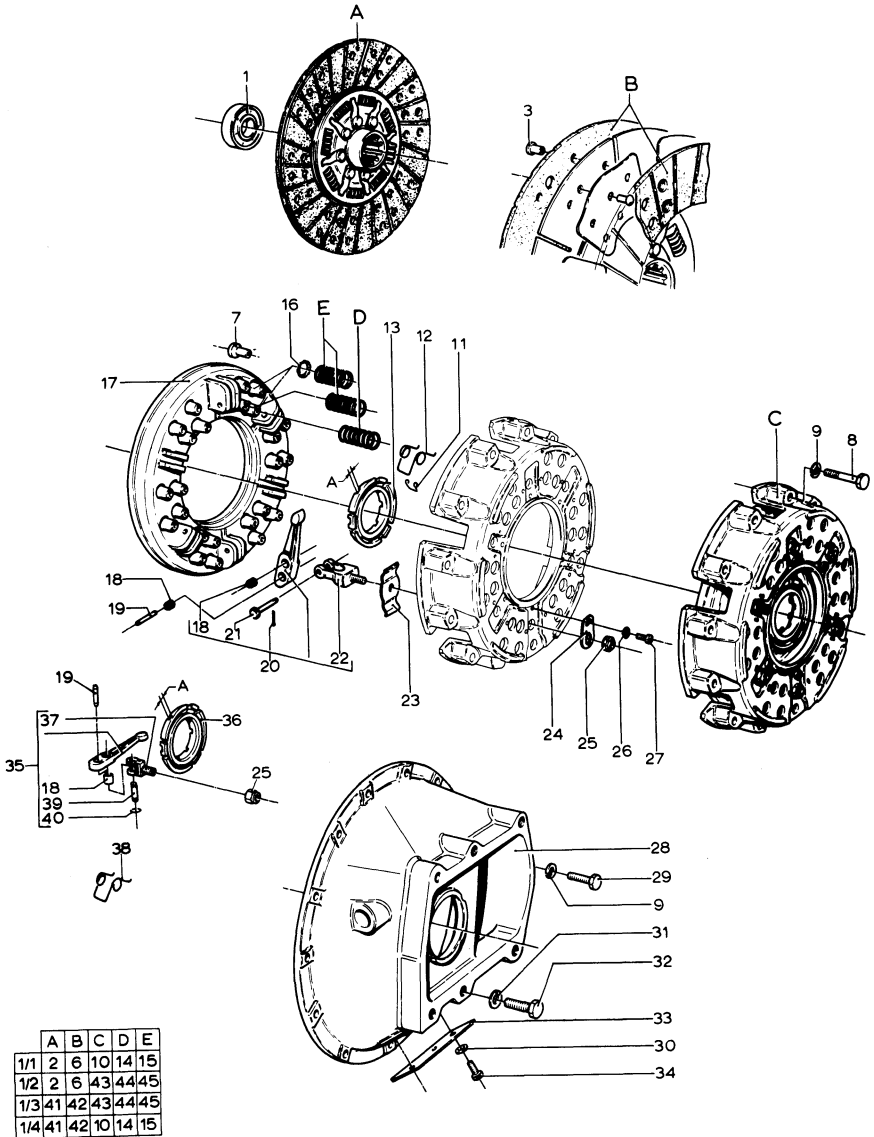
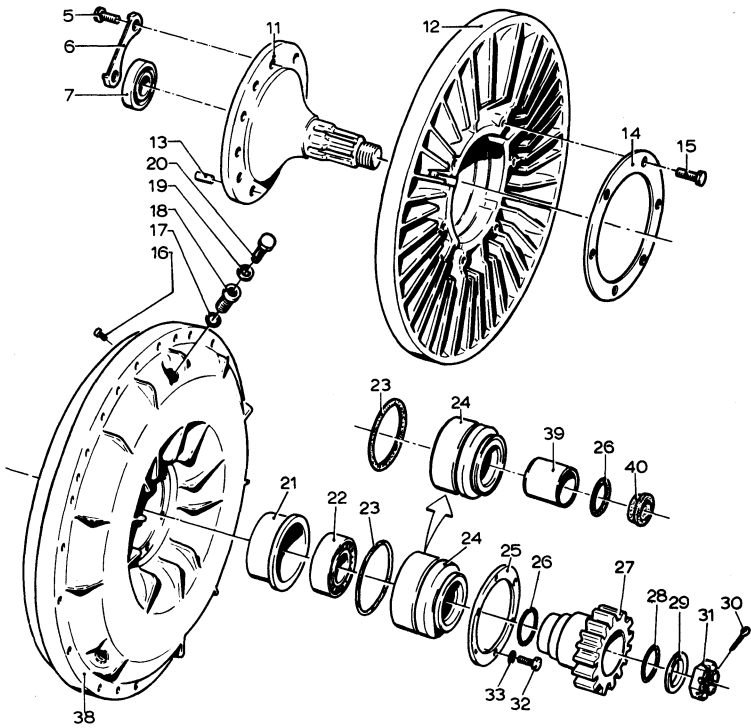
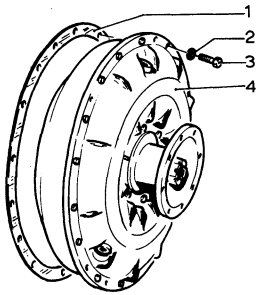
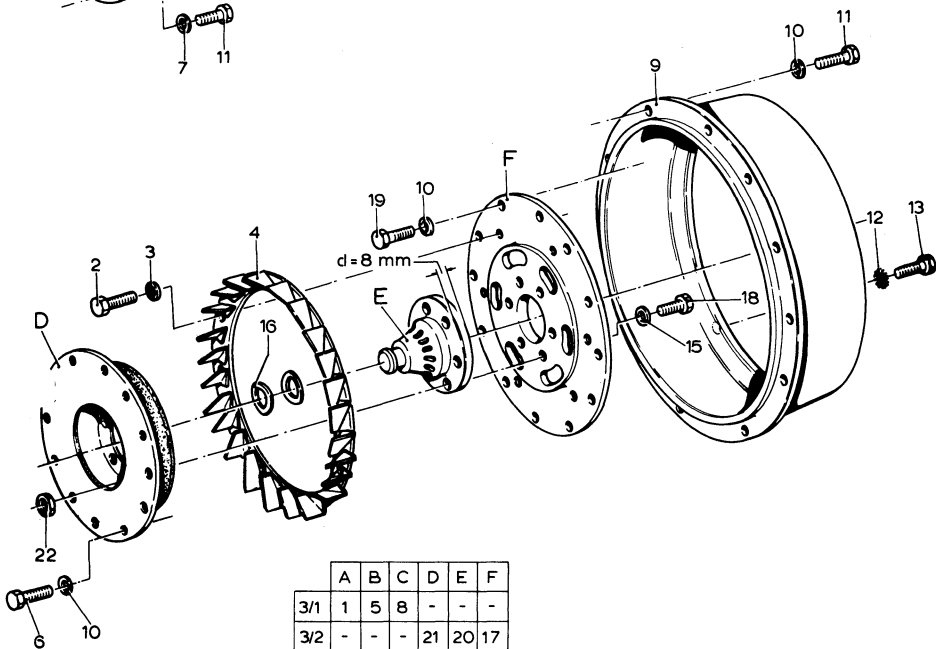
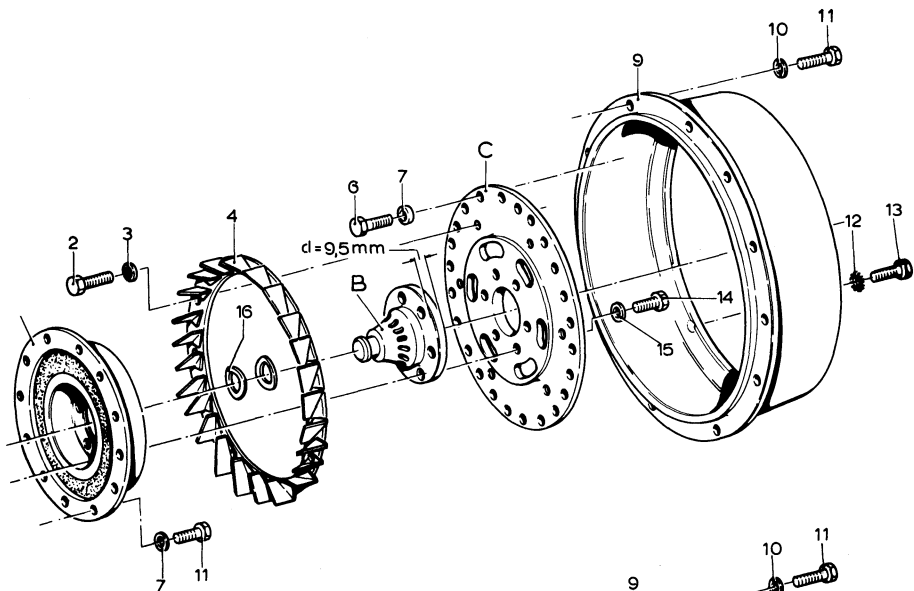


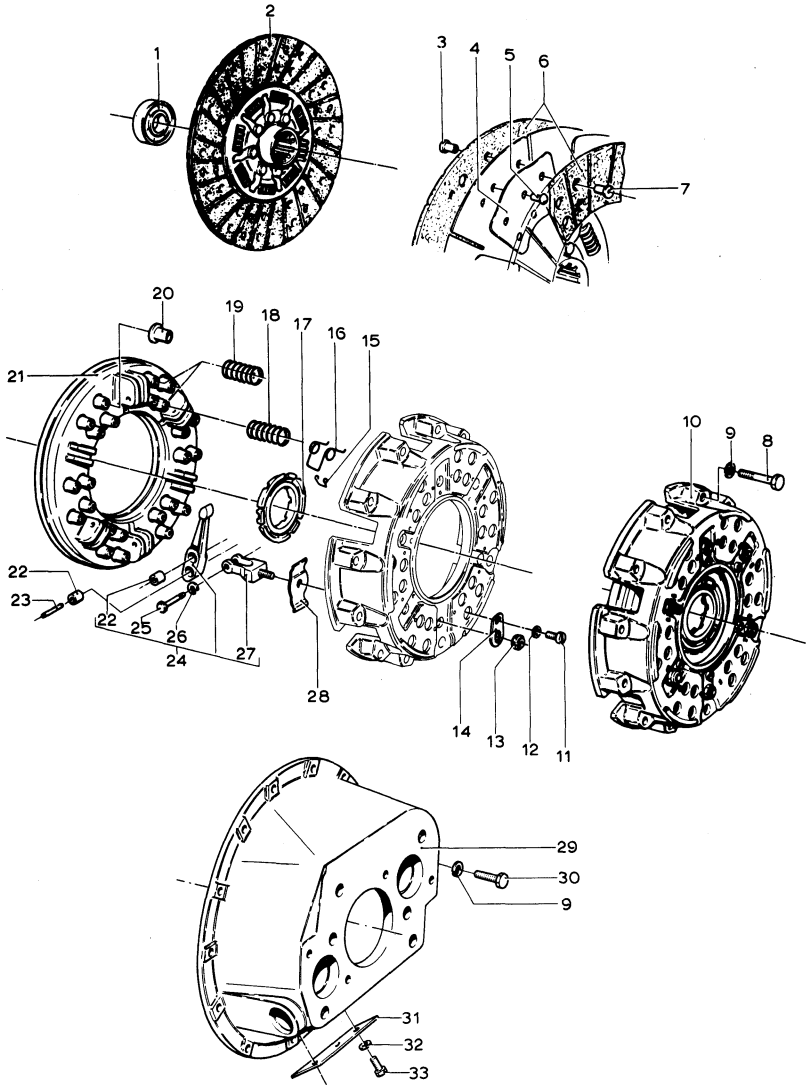
DKDL + DKL

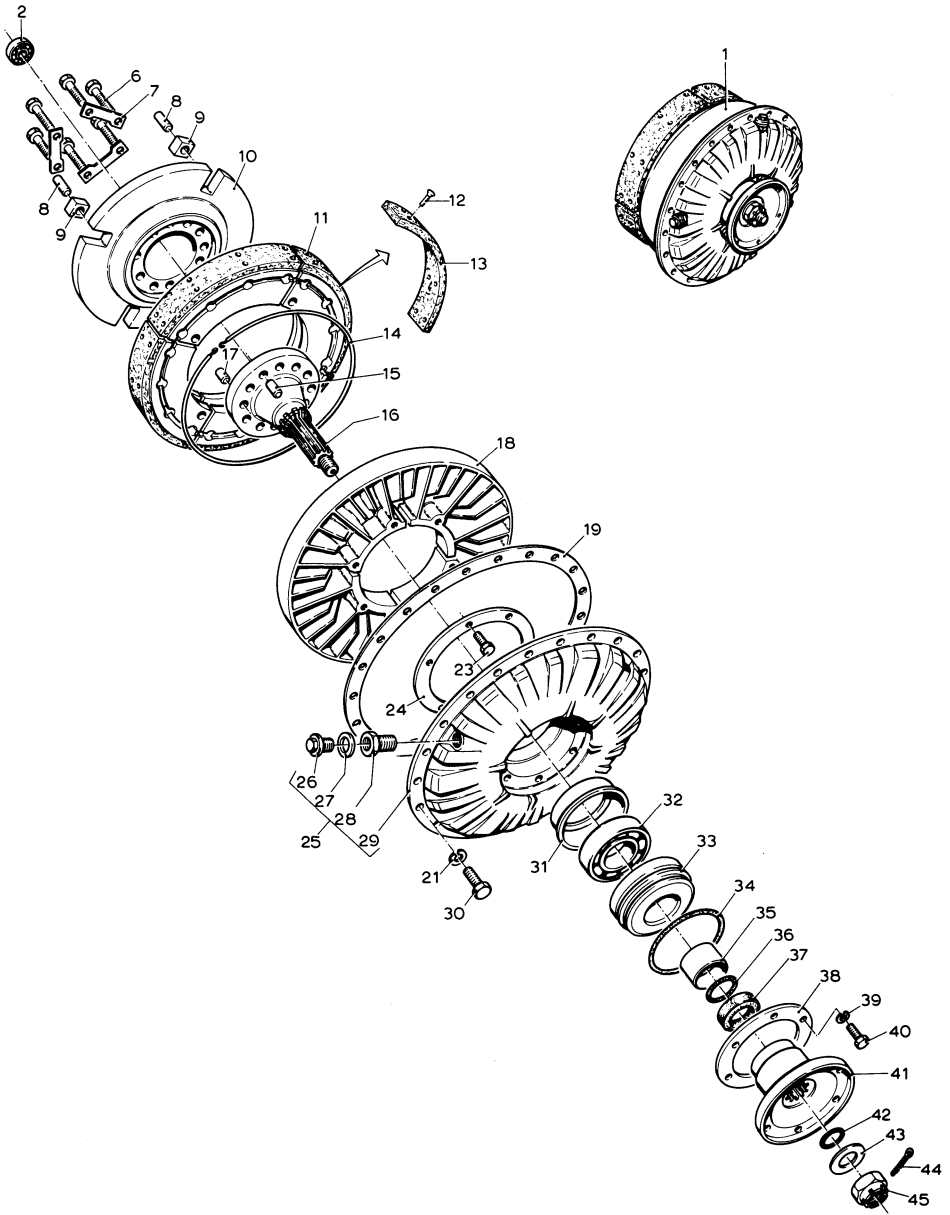


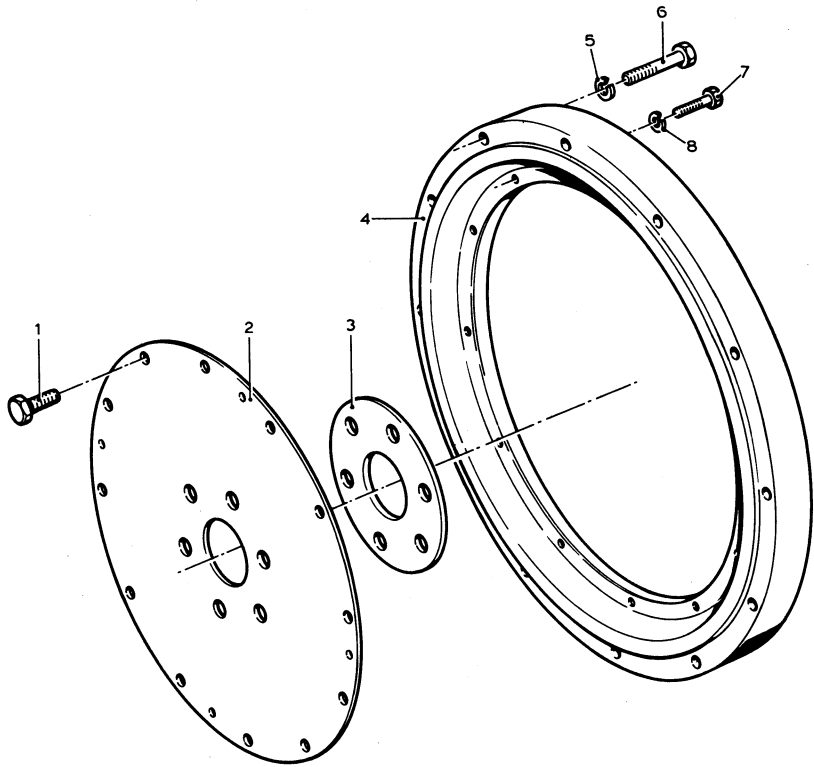


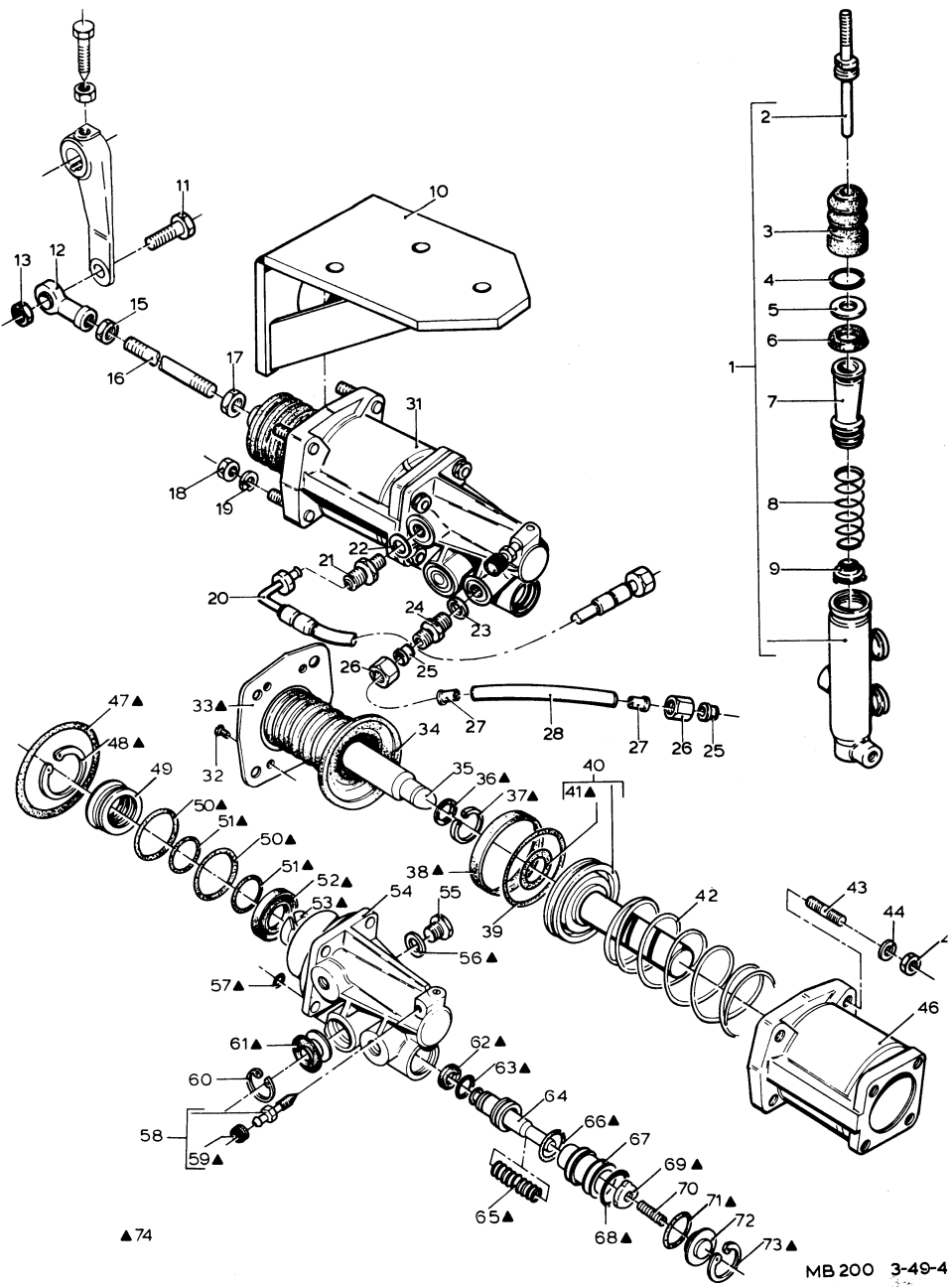


	A	B	C	D	E	F
3/1	1	5	8	-	-	-
3/2	-	-	-	21	20	17









▲74

