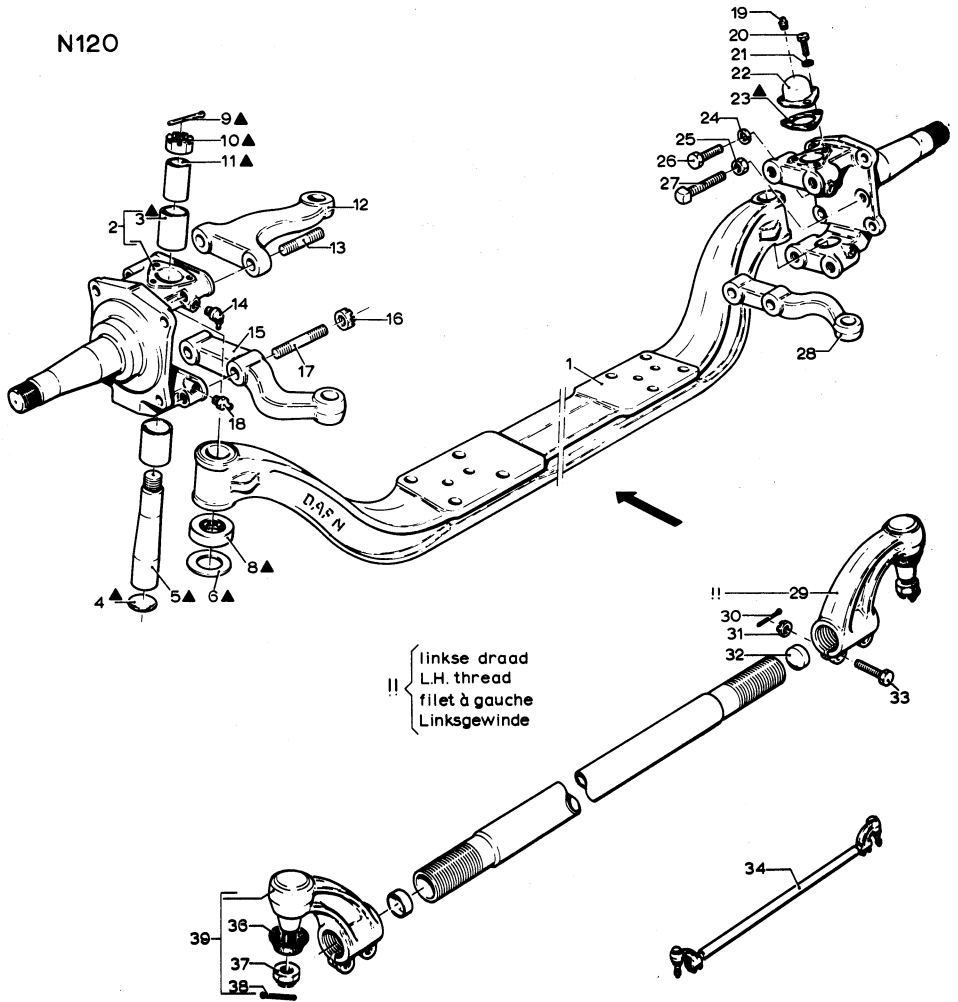


N120



35 ▲

N140

